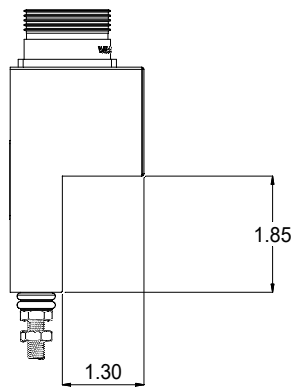
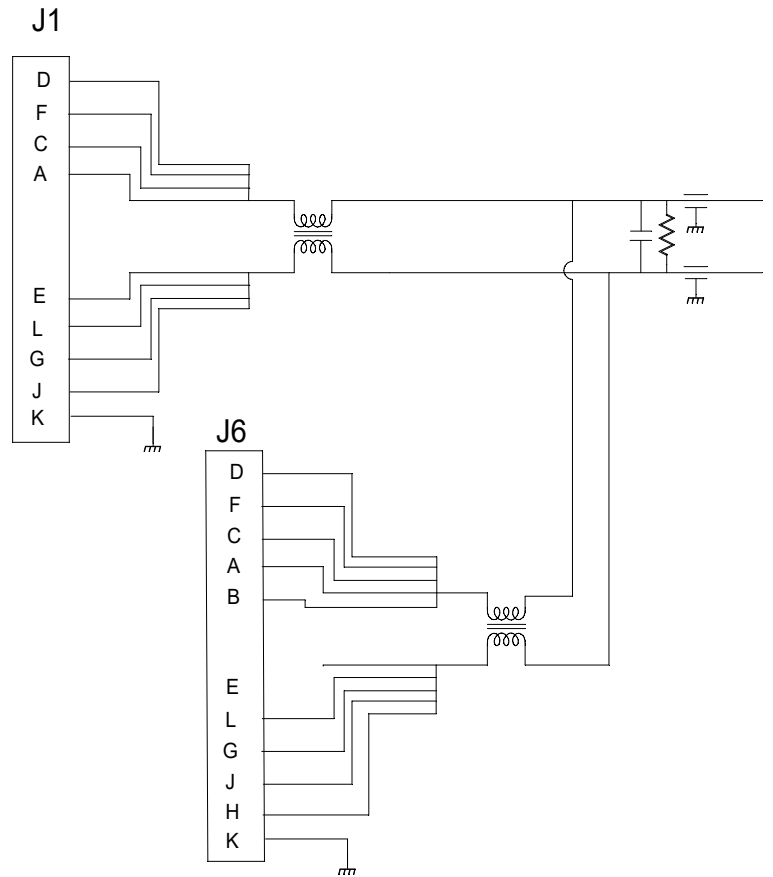


2X 1/4-20



INPUT VOLTAGE: 100 Vdc
 MAXIMUM CURRENT: 15 A / CONNECTOR PIN
 OPERATING TEMPERATURE: -40 TO 71C
 STORAGE TEMPERATURE: -40 TO 100C
 DIELECTRIC WITHSTANDING (L - G): 350 Vdc, 1.0 MINUTE
 DIELECTRIC WITHSTANDING (L - L): 250 Vdc, 1.0 MINUTE



SCALE	APPROVED BY	DRWN BY	RDW
DATE	4/25/2019	REV DATE	
SPECIFICATION			REVISION
TOLERANCE	.XX = .01 .XXX = .005	DRAWING NO.	ZM-2404-135
DIM: INCHES (mm)			