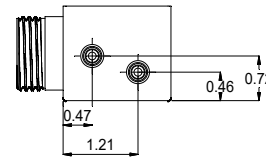
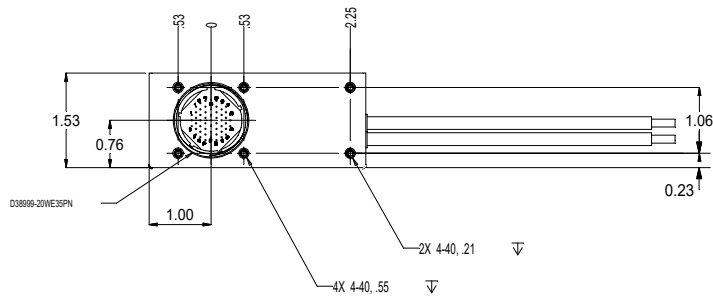
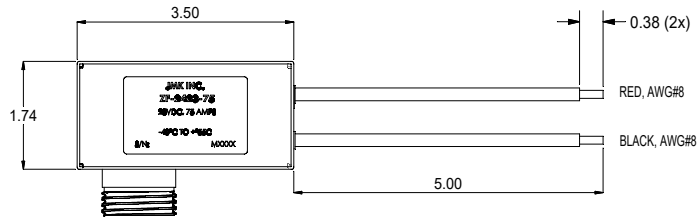
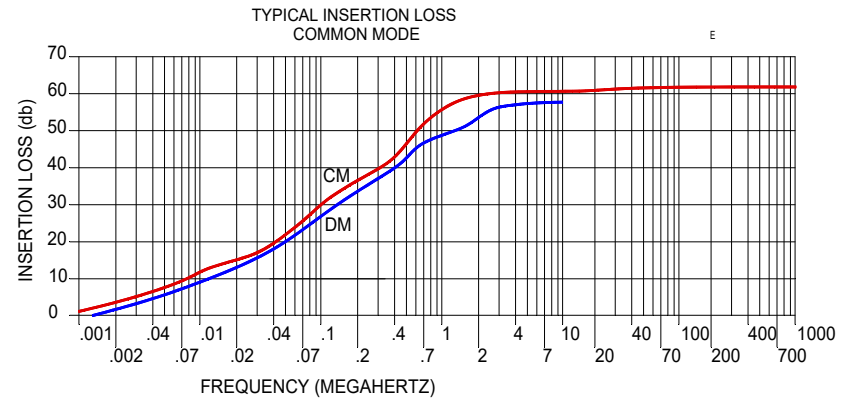
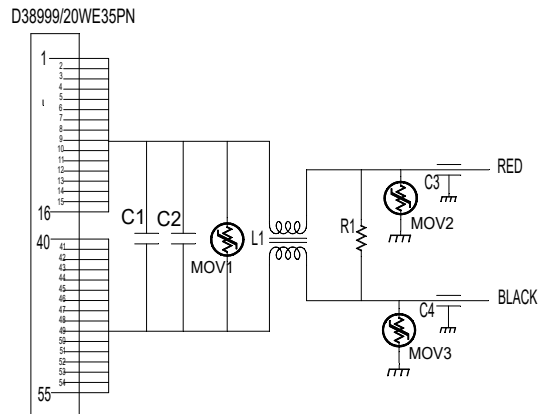


REVISIONS				
ZONE	REV.	DESCRIPTION	DATE	APPROVED
	A	RELEASE	1/20/2020	



MAX OPERATING VOLTAGE: 40 VDC
 MAXIMUM OPERATING CURRENT: 75A
 MAX OPERATING TEMPERATURE: -40 TO 55C
 STORAGE TEMPERATURE: -55 TO 71C
 VARISTOR VOLTAGE (LINE - LINE): 50 - 63V
 VARISTOR VOLTAGE (LINE - GRD): 324 - 595V
 MAX VOLTAGE (LINE - GRD): 300 V
 MAX ENREGY SUPPRESSION (LINE - LINE): 4.0 JOULE
 mAX ENERGY SUPPRESSION (LINE - GRD): 60 JOULE



UNLESS OTHERWISE SPECIFIED		NAME	DATE
DIMENSIONS ARE IN INCHES		DRWIN	MJC
TOLERANCES:			11/02/19
FRACTIONAL ±		CHECKED	
ANGULAR BACH ± BEND ±			
ONE PLACE DECIMAL ± ± ±		ENG APPR.	
TWO PLACE DECIMAL ± ± ±		MFG APPR.	
THREE PLACE DECIMAL ± ± ±			
INTERPRET GEOMETRIC TOLERANCING PER		COMMENTS:	
MATERIAL:			
FINISH:			
USED ON:			



TITLE:
SPECIFICATION

SIZE C	DWG. NO. ZF-2423-75	REV A
CAGE CODE 66239	SCALE: 1:1	WEIGHT:
		SHEET 1 OF 5