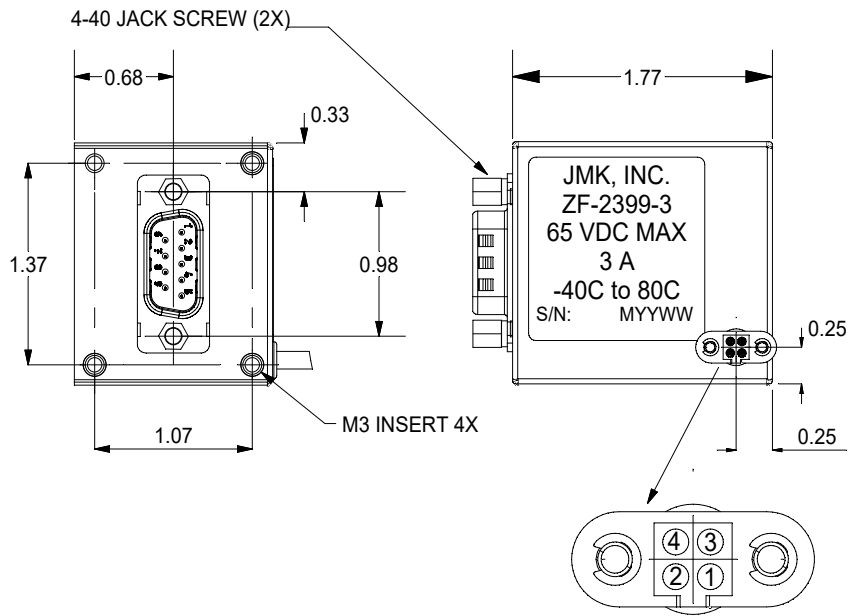
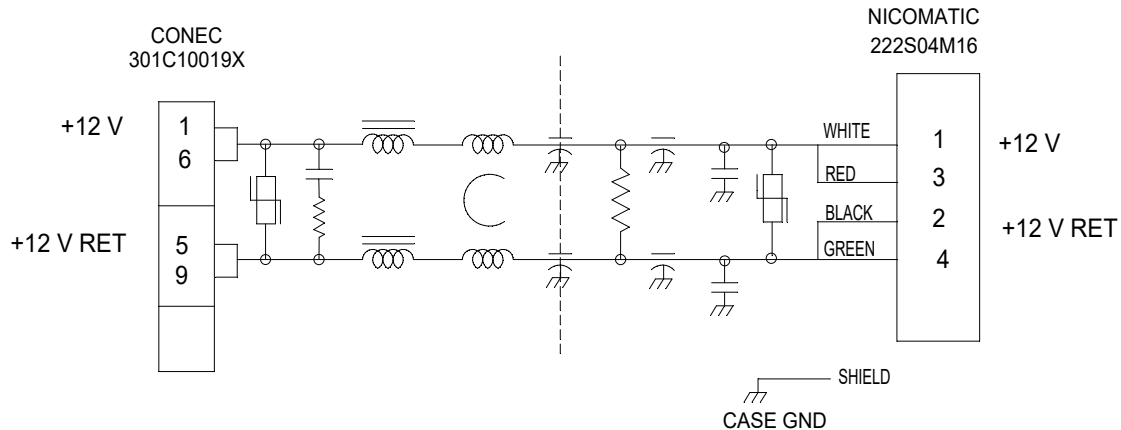
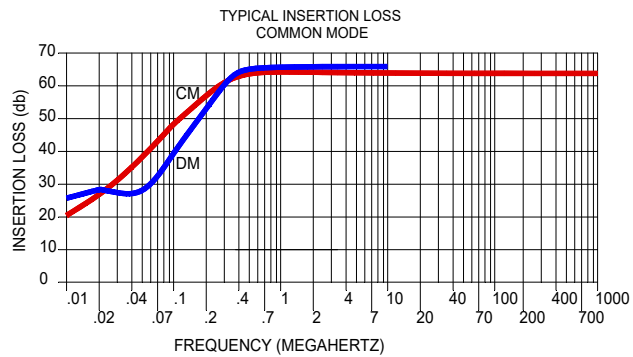
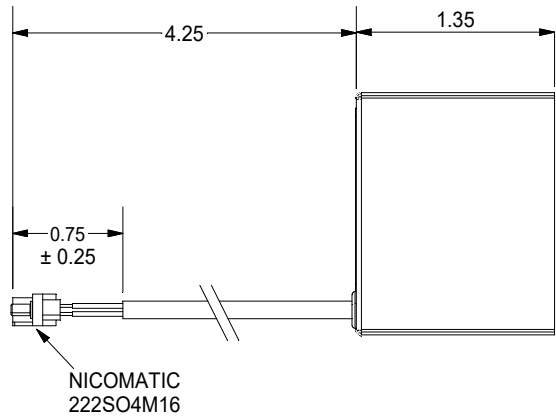


REVISIONS				
ZONE	REV.	DESCRIPTION	DATE	APPROVED
	A	RELEASE	3/20/19	



MAX OPERATING VOLTAGE: 65 VDC
 MAXIMUM OPERATING CURRENT: 3A
 MAX OPERATING TEMPERATURE: -40 TO 80C
 STORAGE TEMPERATURE: -40 TO 100C
 SHIELD: CONNECTED INTERNALLY TO ENCLOSURE



10/28/19

This drawing uses orthogonal projection

UNLESS OTHERWISE SPECIFIED:	NAME	DATE
DIMENSIONS ARE IN INCHES	DRWIN	MJC
TOLERANCES:	CHECKED:	3/14/2019
FRACTIONAL: ±	ENG APPR:	JWK
DECIMAL: ±	DATE:	10/28/19
ANGULAR: MACH ± BEND ±	DIA:	
TWO PLACE DECIMAL: ± .010	COMMENTS:	
THREE PLACE DECIMAL: ± .003		
INTERPRET GEOMETRIC TOLERANCING PER:		
MATERIAL:		
FRESH:		
USED ON:		



TITLE:
SPECIFICATION

SIZE C	DWG. NO. ZF-2399-3	REV G
CAGE CODE 68239	SCALE: 2:1	WEIGHT:
		SHEET 1 OF 1