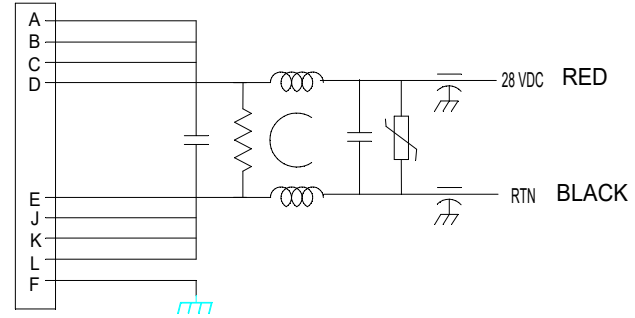


D38999/20FG11PN



OPERATING CURRENT: 60 ADC MAX
 TYPICAL OPERATING VOLTAGE (DC): (0 - 48) VDC
 OPERATING TEMPERATURE: (-55C) TO (85C)
 STORAGE TEMPERATURE: (-55C) TO (100C)
 DIELECTRIC WITHSTANDING (LINE - CASE): 350 VDC FOR 1.0 MIN.
 VARISTOR VOLTAGE: (74 - 90) VOLTS
 DISCHARGE VOLTAGE: 35 VOLTS AFTER 1 SECONDS

SCALE	APPROVED BY	DRWN BY Jessica V.
DATE 02/09/2021		REV DATE
SPECIFICATION		REVISION
TOLERANCE	.XX = .01	DRAWING NO. ZF-2282- 60B
DIM IN INCHES	.XXX = .005	