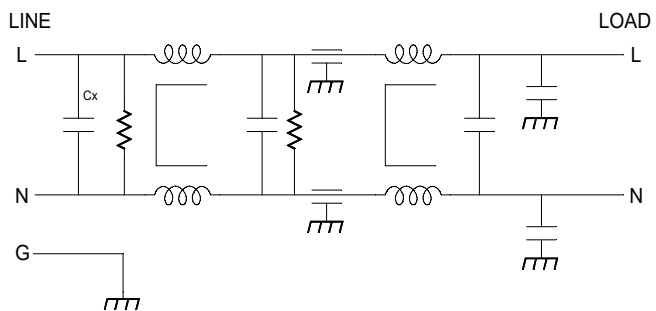
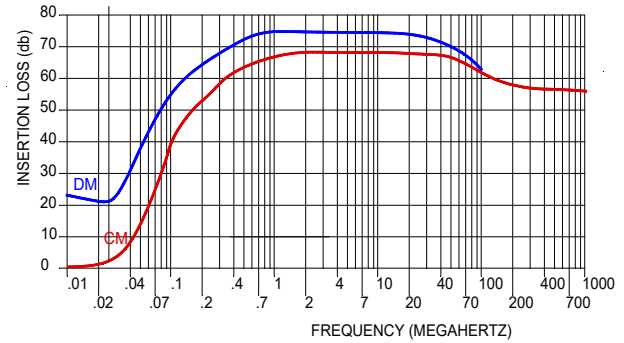


INPUT VOLTAGE: 125 Vac, 50/400 Hz
 120/250 Vac, 50/60 Hz
 OPERATING FREQUENCY: 50 - 400 Hz
 MAXIMUM CURRENT: 60A
 OPERATING TEMPERATURE: -20 TO 50C
 STORAGE TEMPERATURE: -20 TO 100C
 DIELECTRIC WITHSTAND (LINE - CASE): 1500 NRMS FOR 1.0 MINUTE
 DIELECTRIC WITHSTAND (LINE - LINE): 1500 VDC FOR 1.0 MINUTE
 LEAKAGE CURRENT: 8.5 mA MAX. @ 250V, 50HZ
 33.5 mA MAX. @125V, 400HZ

RECOMMENDED CONNECTION TORQUE = 40 - 45 IN. LBS.

SPLIT LOCK WASHER AND HEX NUT ARE SUPPLIED WITH EACH FILTER

IF USING A 60 AMP BREAKER, AWG #6 WIRE IS RECOMMENDED FOR THE CONNECTIONS.



JMK, Inc.			
SCALE	APPROVED BY	DRWN BY	RDW
DATE 9/17/2019		REV DATE	10/25/2019
SPECIFICATION			REVISION A
TOLERANCE	.XX = .02 .XXX = .005	DRAWING NO.	MM-1712-60