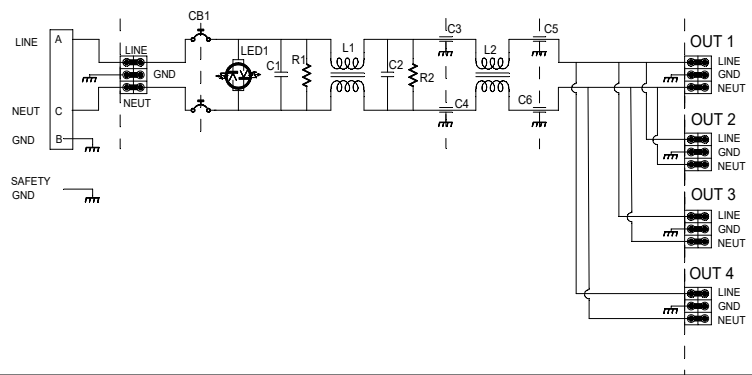
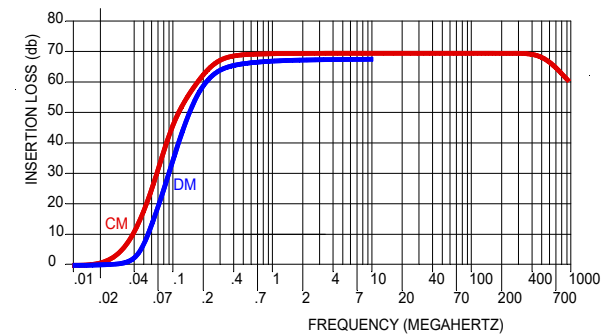


INPUT VOLTAGE: 115 Vac, 60 Hz Typical
 MAXIMUM INPUT VOLTAGE: 250 Vac
 OPERATING FREQUENCY: DC - 72 Hz
 MAXIMUM CURRENT: 10A
 OPERATING TEMPERATURE: -20 TO 60C
 STORAGE TEMPERATURE: -20 TO 100C
 DIELECTRIC WITHSTAND (LINE - CASE): 1500 VRMS FOR 1.0 MINUTE
 DIELECTRIC WITHSTAND (LINE - LINE): 1500 VDC FOR 1.0 MINUTE
 LEAKAGE CURRENT: 1.2 mA MAX. @125V, 60 HZ

WEIGHT: 5.5 LBS MAX



SCALE	APPROVED BY	DRWN BY	RDW
DATE 10/17/2019		REV DATE	REVISION
SPECIFICATION			
TOLERANCE .XX = .01 .XXX = .005		DRAWING NO. GG-2416-10	
DIM: INCHES (mm)			