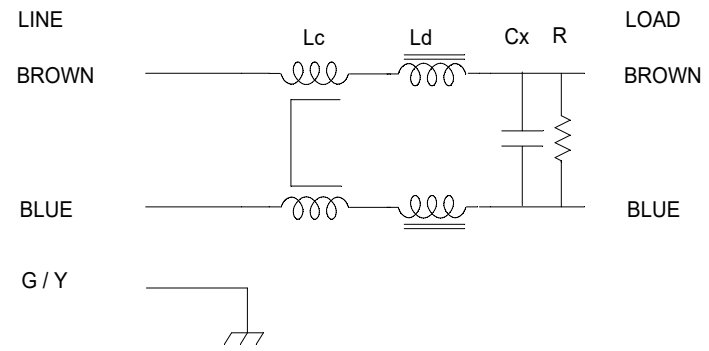


INPUT VOLTAGE: 115 / 250 Vac  
 OPERATING FREQUENCY: 50 / 60 Hz  
 MAXIMUM CURRENT: 13A / LINE  
 MAXIMUM PEAK VOLTAGE LINE - LINE: 600V  
 OPERATING TEMPERATURE: -40 TO 50-C  
 STORAGE TEMPERATURE: -55 TO 100C  
 LEAKAGE CURRENT: 1.15 MAX. @ 250V, 60HZ  
 DISCHARGE VOLTAGE FROM 360V PEAK  
 AFTER 1 SEC: 30 VOLTS MAX  
 DIELECTRIC WITHSTANDING (LINE- GRD): 1500 Vac FOR 1 MINUTE  
 DIELECTRIC WITHSTANDING (LINE - LINE): 1500 Vdc FOR 1 MINUTE



$C_x = 2.2 \mu F$   
 $L_c = 12.3 \text{ mH}$   
 $L_d = 0.490 \text{ mH}$   
 $R = 470 \text{ KOHM}$

SCALE	APPROVED BY
DATE 04/27/2021	DRWN BY Pavel H.
	REV DATE 06/11/2021
<b>SPECIFICATION</b>	
REVISION A	
TOLERANCE .XX = .01	DRAWING NO. FF-2455-3.5
DIM IN INCHES .XXX = .005	