



ZF-1438-30

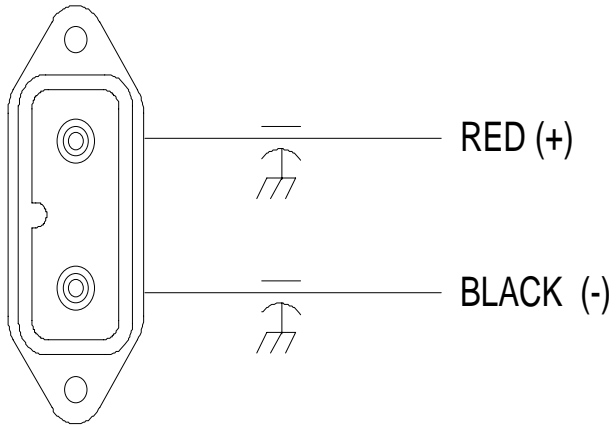
The ZF-1438-30 filter has been designed to operate with telecommunication systems.

This filter was specifically designed using feed-through capacitors in order to attenuate the high frequency conducted emissions as well as help maintain the radiated emissions which can escape the enclosure along the power cord.

The filter insertion loss is up to 60 db and this performance is held to 1.0 gigahertz and beyond.

The capacitors are designed to meet and have passed the CSA capacitor "dump" test in other filter applications.

Order P/N: ZF-1438-30

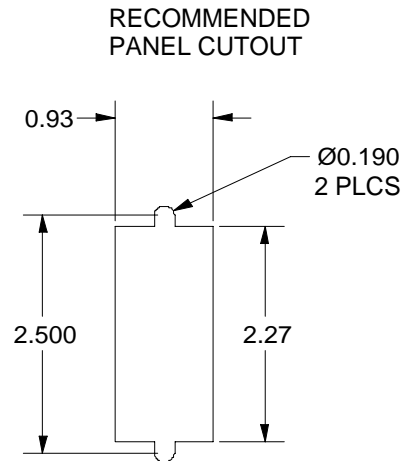
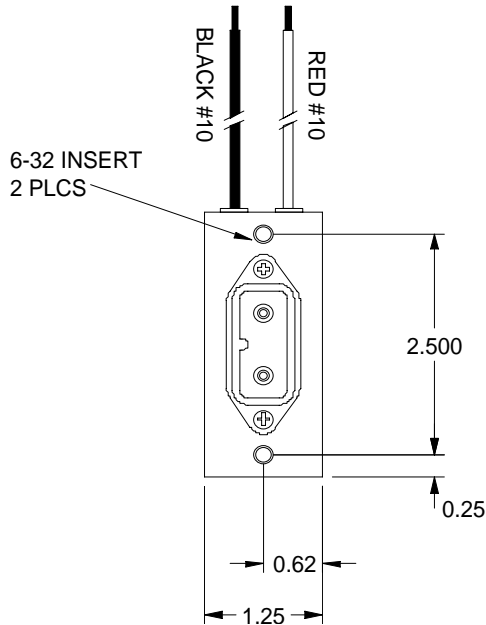
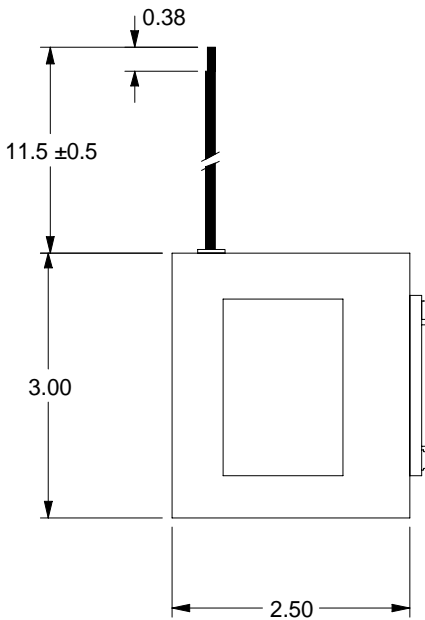
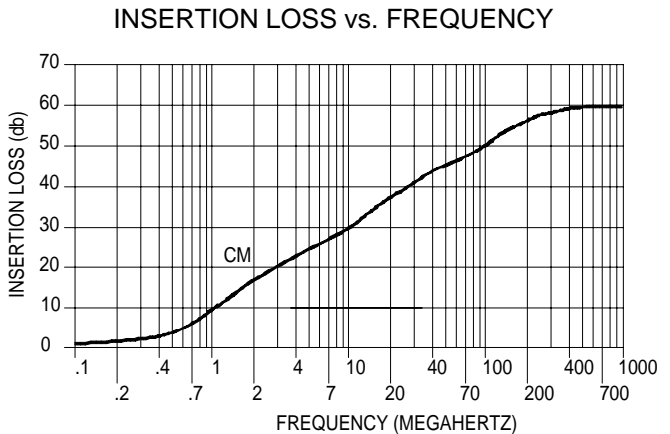


Operating Voltage = _____ 48Vdc
 Operating Current = _____ 30 Amp
 Operating Temperature = _____ -40 to 85°C

Diel. Withstanding (line - case) = _____ 1500 Vdc
 Diel. Withstanding (line - line) = _____ 1500 Vdc

Agency Approvals = _____ UL
 Mating Connector = P/N 48CA45
 Mfg by W.T. Storey Co.

Calculated MTBF = _____ 3,930,570 hrs GB @ 30°C
 Mil-Std-704 Compliant



USA JMK Inc 15 Caldwell Dr. Amherst, NH 03031 PH: 603 886-4100 FX: 603 886-4115
 email: info@jmkfilters.com
 EUR JMK Inc Glasgow G13 1DN Scotland UK PH: 44-(0) 7785310729 Fax: 44-(0) 141 589 1884