



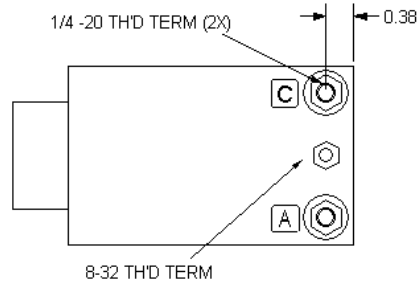
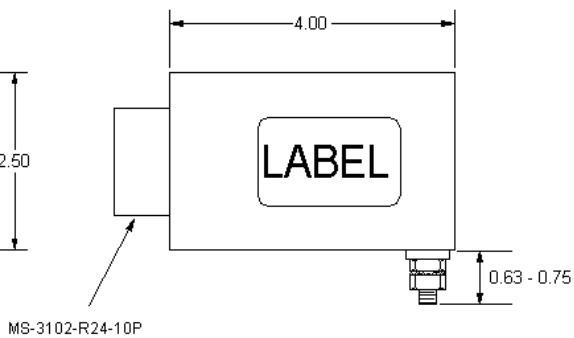
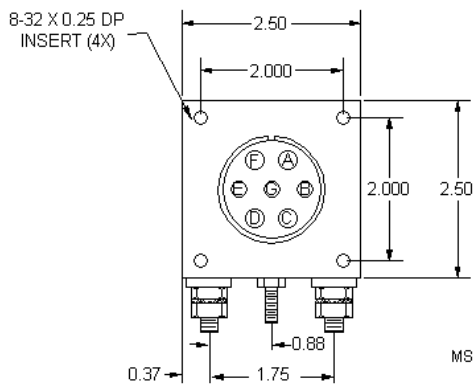
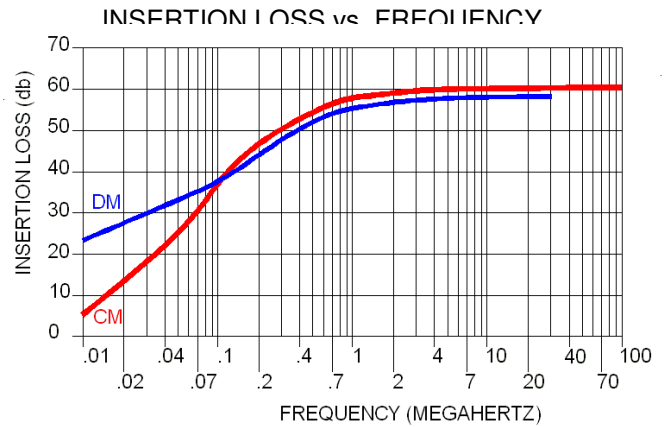
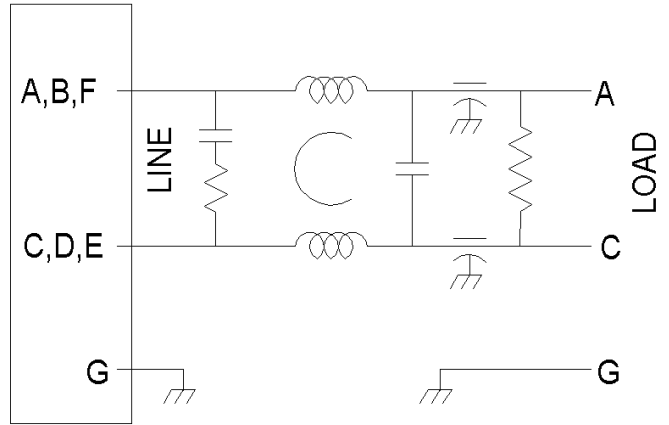
# ZM-1758-60

The ZM-1758-60 filter is designed to work with systems with requirements to meet Mil-Std-461D, E, or F. The filter is designed so that there are no resonant points in the operating range. The common mode insertion loss is also a minimum 50 dB from 100Mhz to 1.0Ghz. This high frequency performance will suppress high frequency signals on the power leads that can cause problems with radiated emissions.

Operating Voltage = \_\_\_\_\_ 28 - 40 Vdc  
 Operating Current = \_\_\_\_\_ 60 Amp  
 Operating Temperature = \_\_\_\_\_ (-55)—85°C  
 Diel. Withstanding (L-Case) = \_\_\_\_\_ 800 Vdc (1.0 Minute)  
 Calculated MTBF = \_\_\_\_\_ 2,870,437 Hrs at 30°C GB  
 Failure rate = \_\_\_\_\_ 0.348379

**Ordering Information**

P/N: ZM-1758-60



USA JMK Inc 15 Caldwell Dr. Amherst, NH 03031 PH: 603 886-4100 FX: 603 886-4115  
 email: info@jmkfilters.com  
 EUR JMK Inc Glasgow, Scotland UK PH: 44 (0) 7785-310729 FX: 44 (0) 1415-891884