

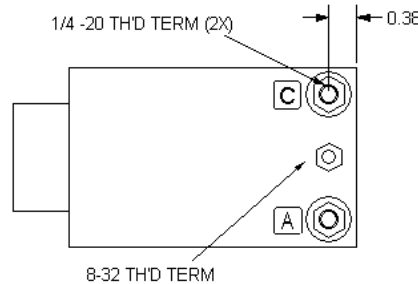
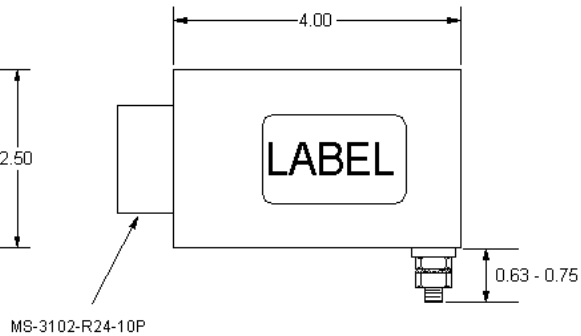
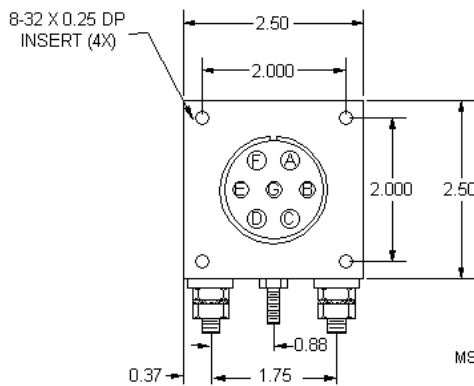
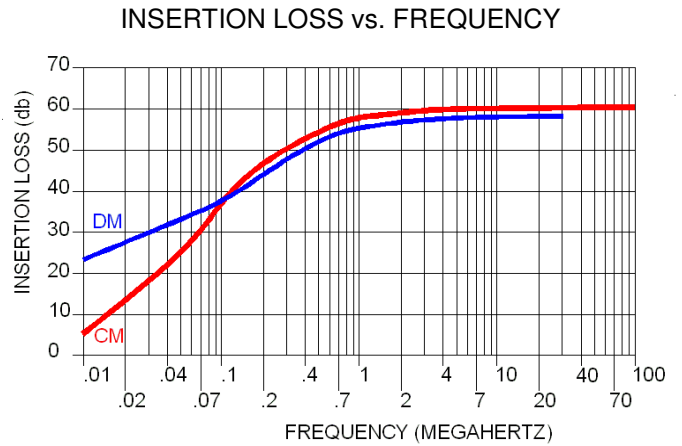
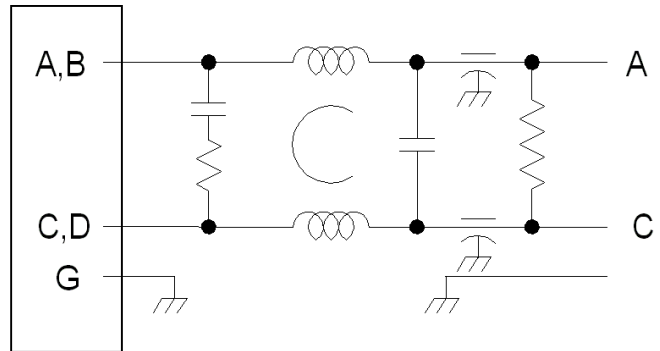


ZM-1758-40

The ZM-1758-40 filter is designed to work with systems with requirements to meet Mil-Std-461D, E, or F. The filter is designed so that there are no resonant points in the operating range. The common mode insertion loss is also a minimum 50 dB from 100Mhz to 1.0Ghz. This performance is needed in order to suppress high frequency signals on the power leads that can cause problems with radiated emissions.

Operating Voltage = _____ 28 Vdc
 Operating Current = _____ 40 Amp
 Operating Temperature = _____ -55°—85°C
 Diel. Withstanding (line - case) = _____ 800 Vdc (1.0 Min)
 Calculated MTBF = _____ 2,870,437 hrs GB @ 30°C

Order P/N: ZM-1758-40



USA JMK Inc 15 Caldwell Dr. Amherst, NH 03031 PH: 603 886-4100 FX: 603 886-4115
 email: info@jmkfilters.com
 EUR JMK Inc Glasgow G13 1DN Scotland UK PH: 44-(0) 7785310729 Fax: 44-(0) 141 589 1884