



ZA-2075-8

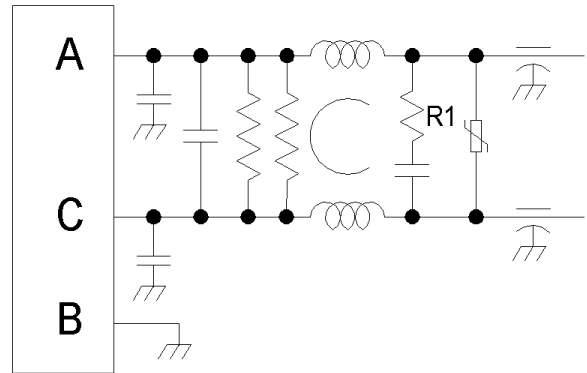
The ZA-2075-8 filter has been designed for systems operating under the requirements of MIL-STD-461C and/or tempest applications.

The filter's case is environmentally sealed and is designed to handle the shock and vibration of wheeled vehicle installations.

The circuit uses "Feed-Through Capacitors" with an insertion loss of 60 db to 1.0 Ghz and beyond.

The circuit also uses a MOV to reduce line transients.

Order P/N: ZA-2075-8



Operating Voltage = _____ 28 VDC
 Operating Current = _____ 3.5 Amps

Temperature Range (Storage) = _____ -40 to 85 °C
 Temperature Range (Operating) = _____ -30 to 60 °C

Diel. Withstand (L-Grd) = _____ 1500 VDC
 Diel. Withstand (L-L) (1 Minute) = _____ 61 VDC

Calculated MTBF = _____ 3,569,478 Hrs

