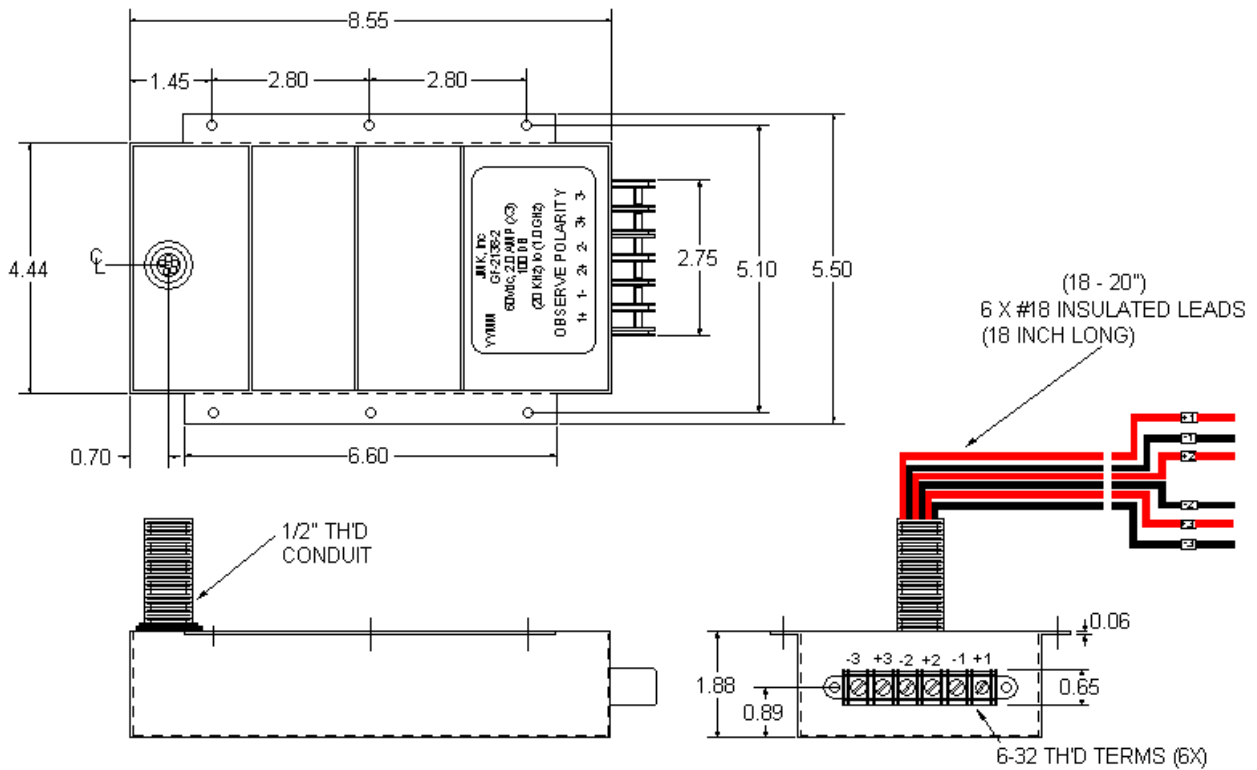
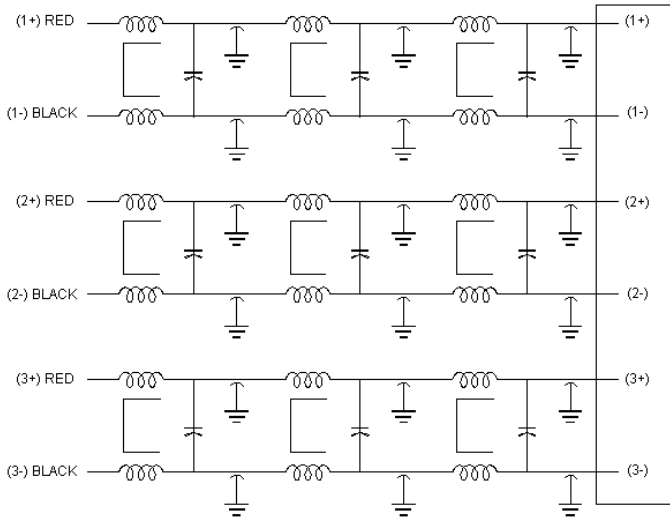
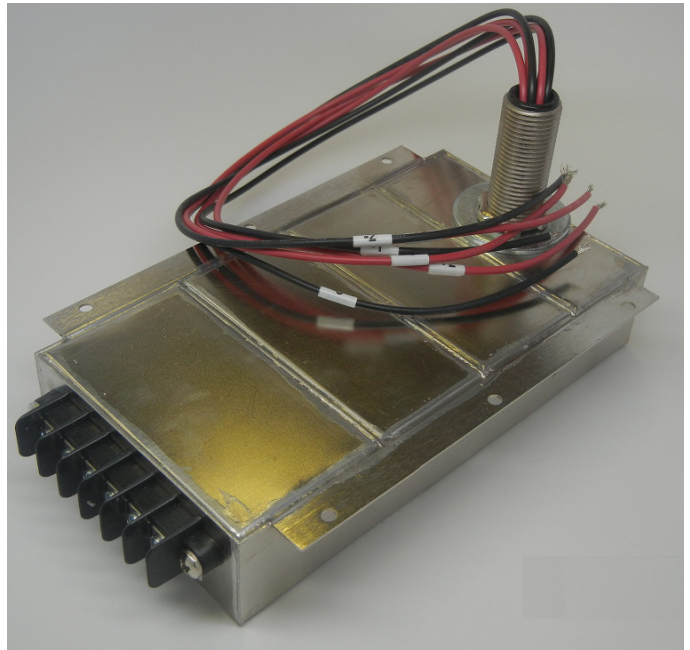




GF-2138-2

This filter was developed in order to suppress conducted electrical noise from MRI LED lighting systems.

Operating Voltage = _____ 100 V
 Operating Current Max = _____ 2.0 Amp
 Temperature Operating = _____ -20°—60°C
 Storage Temperature = _____ -20°—85°C
 DC Resistance Per Leg = _____ 0.35Ω
 Calculated MTBF = _____ 416,616 Hrs @ 30°C GB
 Insertion Loss = _____ 100 db min (20 KHz—1.0 GHz)



USA JMK Inc 15 Caldwell Dr. Amherst, NH 03031 PH: 603 886-4100 FX: 603 886-4115
 email: info@jmkfilters.com
 EUR JMK Inc Glasgow G13 1DN Scotland UK PH: 44-(0) 7785310729 Fax: 44-(0) 141 589 1884