



# EF-0926-20

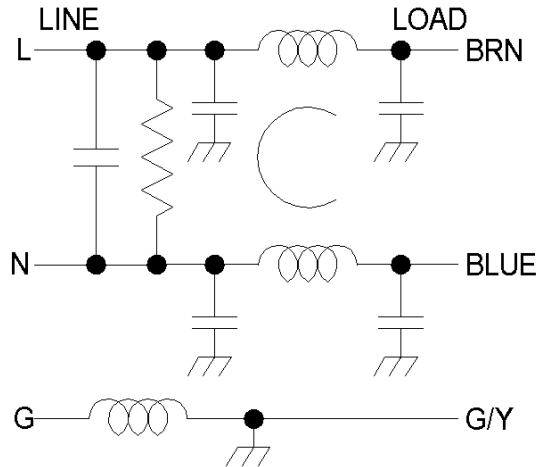
The 926 filter is a compact, single phase, high current device with very good common mode and differential mode insertion loss.

It is useful in power control sections where the ground coil will help eliminate system ground loop noise.

The package features the 16 amp IEC connector which facilitates the use of a detachable cord set.

The "thru" bulkhead mounting provides the ultimate in RF noise suppression.

Ordering Information:  
 With Ring Terminals:           EF-0926-20  
 Without Ring Terminals:       EF-0926-20S



Operating Voltage = \_\_\_\_\_ 115/250V  
 Operating Current = \_\_\_\_\_ 20A/115V, 16A/250V  
 Operating Frequency = \_\_\_\_\_ 50/60Hz

Temperature Range = \_\_\_\_\_ -20°—50°C

Diel. Withstd (L—Case) = \_\_\_\_\_ 1500 V, 1 Min  
 Diel. Withstd (L—L) = \_\_\_\_\_ 1500 Vdc, 1 Min

Leakage Current = \_\_\_\_\_ 1.5mA @ 250V, 60Hz

Discharge Volts After 1 Sec = \_\_\_\_\_ 34 V Max

