



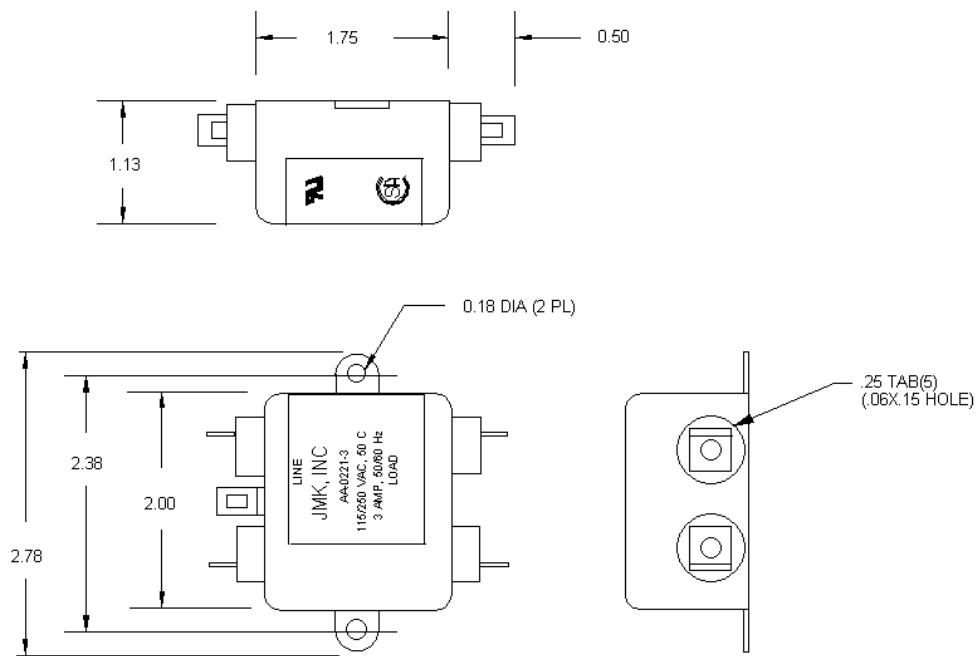
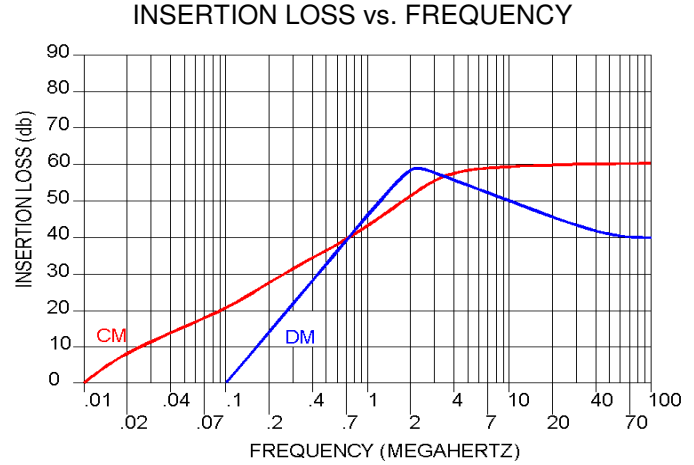
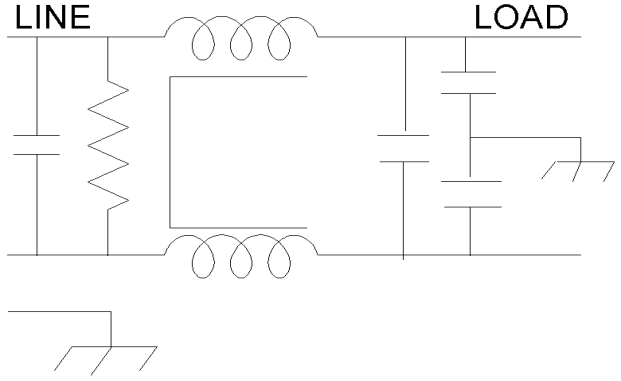
# AA-0221-3

Operating Voltage = \_\_\_\_\_ 115/250 Vac  
 Operating Current = \_\_\_\_\_ 3 Amp  
 Operating Frequency = \_\_\_\_\_ 50/60Hz  
 Operating Temperature = \_\_\_\_\_ -20°C to 50°C

Diel. Withstanding (Line—Case) = \_\_\_\_\_ 1500 Vac  
 Diel. Withstanding (Line—Line) = \_\_\_\_\_ 1500 Vac

Leakage Current = \_\_\_\_\_ 0.5 mA @ 250 Vac, 60 Hz  
 Max Residual Voltage after 1 Sec. = \_\_\_\_\_ 30 Volts

MTBF = \_\_\_\_\_ 422,726 Hrs @ 30°C GB



USA JMK Inc 15 Caldwell Dr. Amherst, NH 03031 PH: 603 886-4100 FX: 603 886-4115  
 email: info@jmkfilters.com  
 EUR JMK Inc Glasgow G13 1DN Scotland UK PH: 44-(0) 7785310729 Fax: 44-(0) 141 589 1884