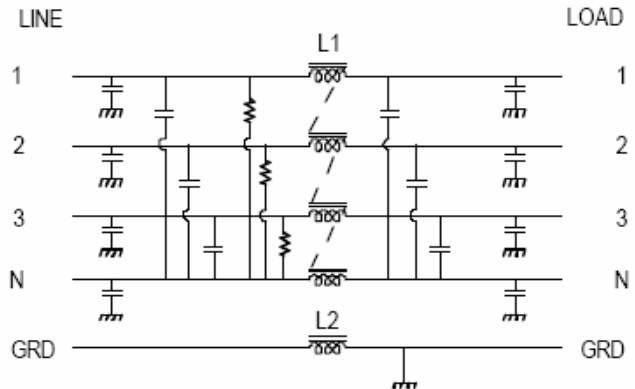


The Mm-0787-100B filter is designed for use with large computer or motor installations where heavy current is drawn continuously. This filter can handle large in-rush current typical of modern power supplies. When data lines or power is shared with other systems the ground coil helps breakup ground loops which can cause system errors and also increase conducted RF emissions.



Operating Voltage = 250/480 V~, 50 / 60 Hz
 Operating Voltage = 125/208 V~, 50 - 400 Hz
 Operating Current = 100 A / Phase
 Temperature Range = -20 TO 50 Deg. C
 Diel. Withstand (L-CASE) = 1500 V~ FOR 1 MIN.
 Diel. Withstand (L-L) = 1500 Vdc For 1 Min.
 Leakage Current = 2.2 ma @ 250 V~, 60 Hz
 Discharge Volt after 1.0 second = 24 V Max.
 Maximum Capacitance each line to case = 0.016 μ F

Order P/N: MM-0787-100B

