



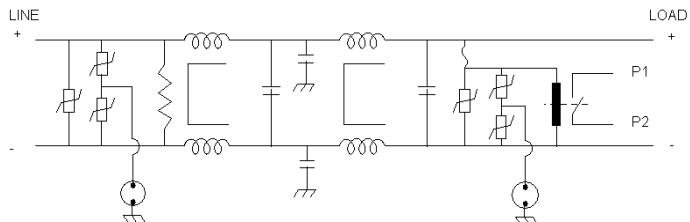
KK-1222-32

This filter is intended to provide transient and surge suppression for DC power systems.

In addition to transient and surge suppression the filter also provides common mode and differential mode insertion loss.

If the transient suppression network is destroyed the filter has a switch which will provide a contact closure to alert a surveillance system.

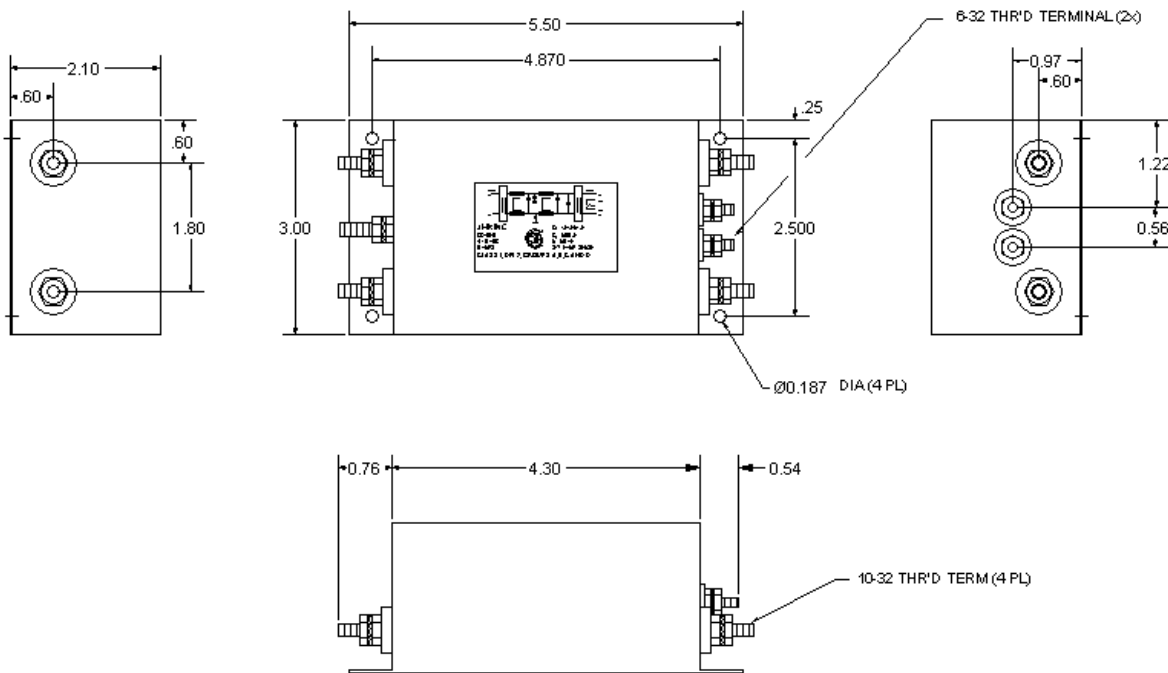
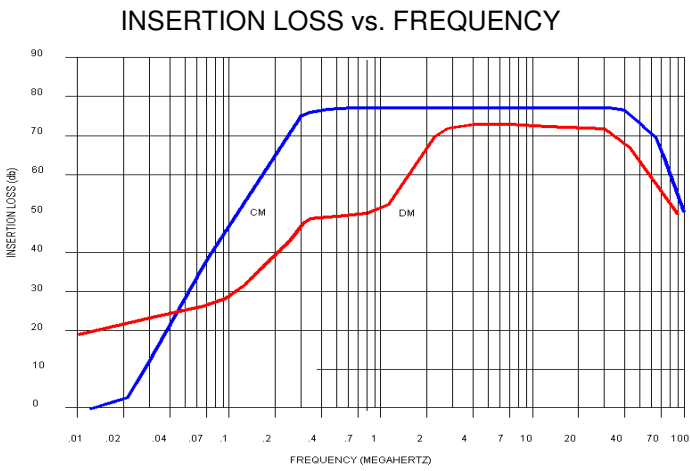
Approvals: CSA class I, div 2 for Hazardous Locations.



Operating Voltage = _____ 18 - 36 VDC
 Operating Current (max) = _____ 32 Amps

Temperature Range (storage) = _____ -55 to 85 °C
 Temperature Range (operating)
 32 A = -40 to 55 °C
 30 A = " 60 °C
 28 A = " 64 °C
 24 A = " 68 °C
 22 A = " 73 °C

Transient Clamping Voltage = _____ 2 - 52 V
 Surge Clamping Voltage = _____ 75 - 110 V
 Discharge Current (8/20 us) = _____ 20,000 Amp



USA JMK Inc 15 Caldwell Dr. Amherst, NH 03031 PH: 603 886-4100 FX: 603 886-4115
 email: info@jmkfilters.com
 EUR JMK Inc Glasgow G13 1DN Scotland UK PH: 44-(0) 7785310729 Fax: 44-(0) 141 589 1884