

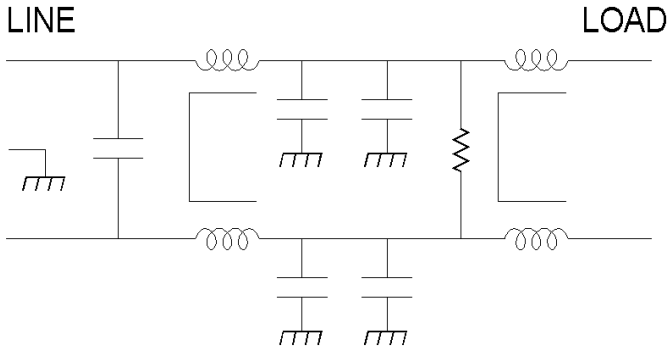


HH-1545-12

This filter configuration features significant insertion loss for filtering DC/DC converters that need to meet the requirements of Mil-Std-461E, EN55022 or the FCC requirements.

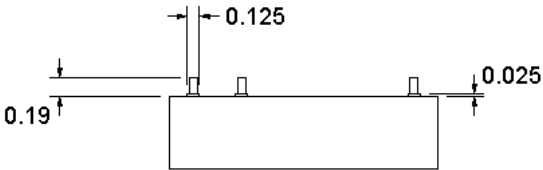
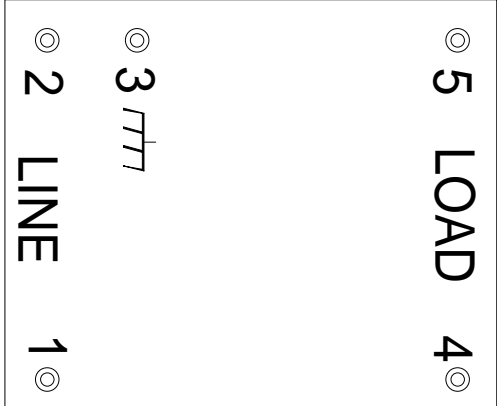
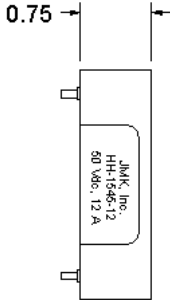
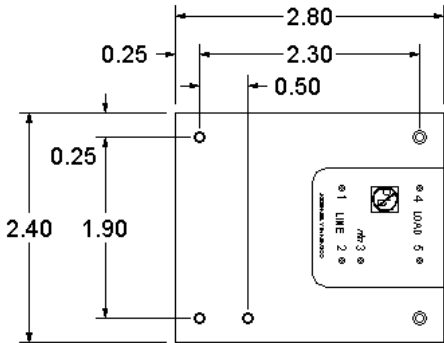
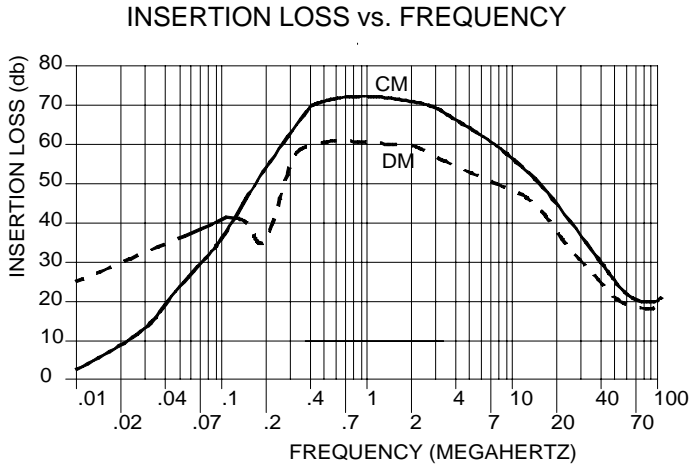
The pc board mounting facilitates placement of the filter close to the power modules thus helping to eliminate coupling due to magnetic radiation.

Order P/N: HH-1545-12



Operating Voltage = _____ 50 Vdc
 Operating Current = _____ 12.0 Amp
 Operating Temperature = _____ (-40)—50°C

Diel. Withstanding (line - case) = _____ 1500 Vdc (1.0 Min)
 Diel. Withstanding (line - line) = _____ 100 Vdc (1.0 Min)



**PIN CONFIGURATION
 LOOKING FROM SIDE
 OPPOSITE THE PINS.**