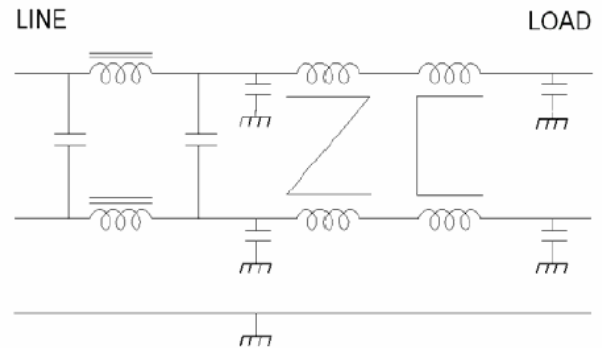


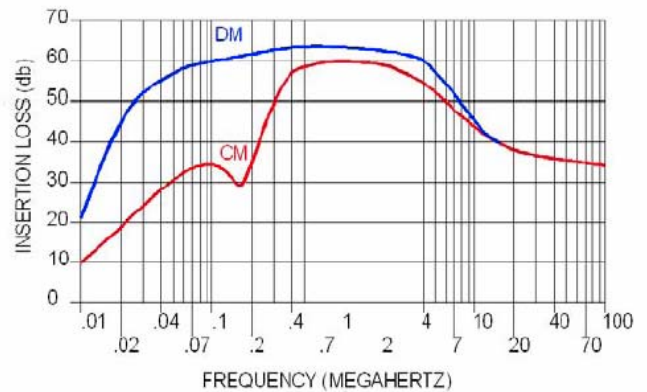
The HH-1355E-3 filter has been designed to operate with the VICOR Harmonic Attenuator Module (HAM). This filter was specifically designed to allow the Vicor HAM and Associated power converters to meet Mil-Std-461D & E.

The enclosure mounting, and pin configuration are identical to the enclosure for the standard HAM filter. It will be necessary to add transient protection across the output of the filter to protect the HAM module. It is recommended that you use 5%, bipolar TVS diodes. 2 x 130V and 1 x 150V diodes connected in series. The HAM will meet Mil-Std-461D or E with the HH-1355-3. The one draw back is that the current is limited to 3 amps max.

Order Part Number: HH-1355E-3



Operating voltage _____ 85 to 250 V~
 Operating current _____ 3.0 Amp Max
 Operating frequency _____ 50/400 Hz
 Operating temperature _____ -20—55C ***
 Diel. withstanding (line - case) _____ 1500 Vac
 Diel. withstanding (line - line) _____ 1500 Vdc
 Leakage current _____ 2.5 ma @ 220 V, 60 Hz
 Max residual voltage after 1 sec _____ 34 Volts
 Applicable Specifications _____ Mil-Std-461E



*** Wider operating temperature ranges available.

