



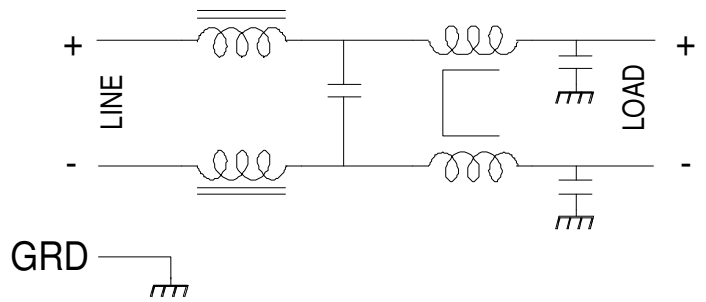
HH-1134-8

The Hh-1134-8 filter has very good common mode and differential mode insertion loss.

The filter is a circuit board mount and is designed to work in equipment with DC input power.

The enclosure is a plated steel can to cut down on the radiation coupling across the filter.

Order P/N: HH-1134-8

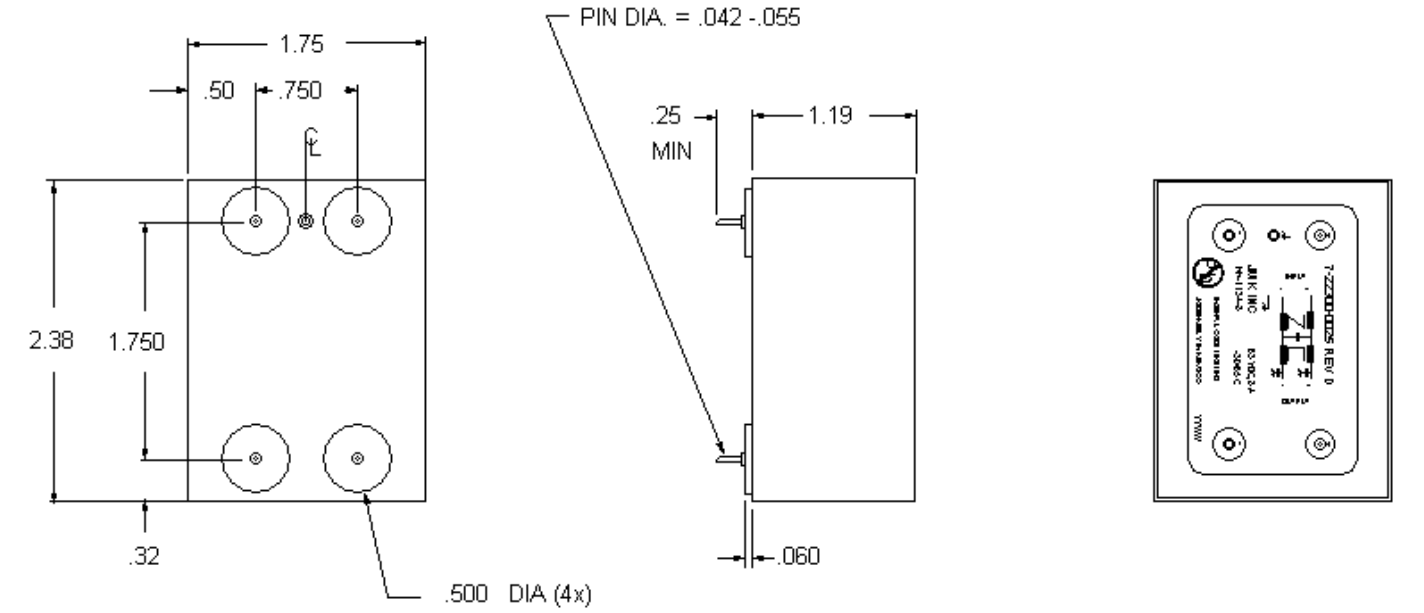
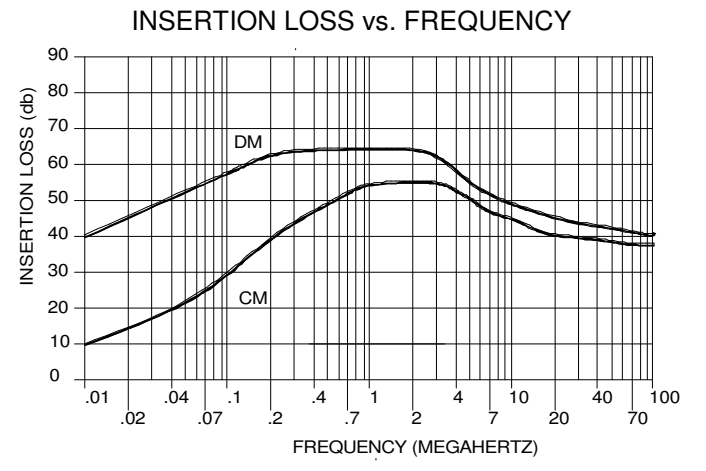


Operating Voltage = _____ 63 Vdc Max

Operating Current = _____ 8 Amps

Temperature Range = _____ -20 to 50 °C

Diels. Withstand (L-CASE) = _____ 1500 V~ FOR 1 MIN



USA JMK Inc 15 Caldwell Dr. Amherst, NH 03031 PH: 603 886-4100 FX: 603 886-4115
 email: info@jmkfilters.com
 EUR JMK Inc Glasgow G13 1DN Scotland UK PH: 44-(0) 7785310729 Fax: 44-(0) 141 589 1884