

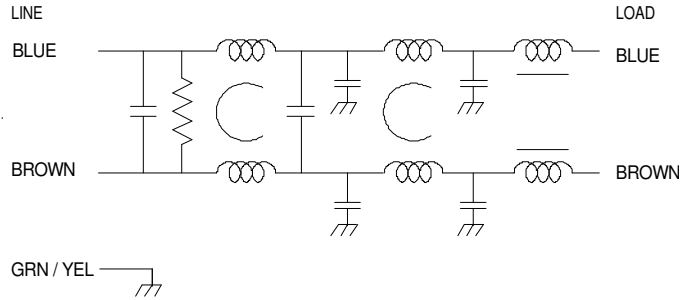


FF-1319-13

This filter has been designed to operate with the Vicor "VI - HAMD / BAMD harmonic attenuator modules" to meet EN55022, class B.

The filter will also function very well with most other switching regulators.

Order P/N: FF-1319-13
 FF-1319-13HT (High Temp)
 Unit Shipping Weight: 2.4 lbs (1.09 Kg)



Operating Voltage = _____ DC to 250 Vac
 Operating Current (Max) = _____ 13A
 Operating Frequency = _____ 50/60 Hz

Temp. Range (Storage) = _____ -55 to 100 °C

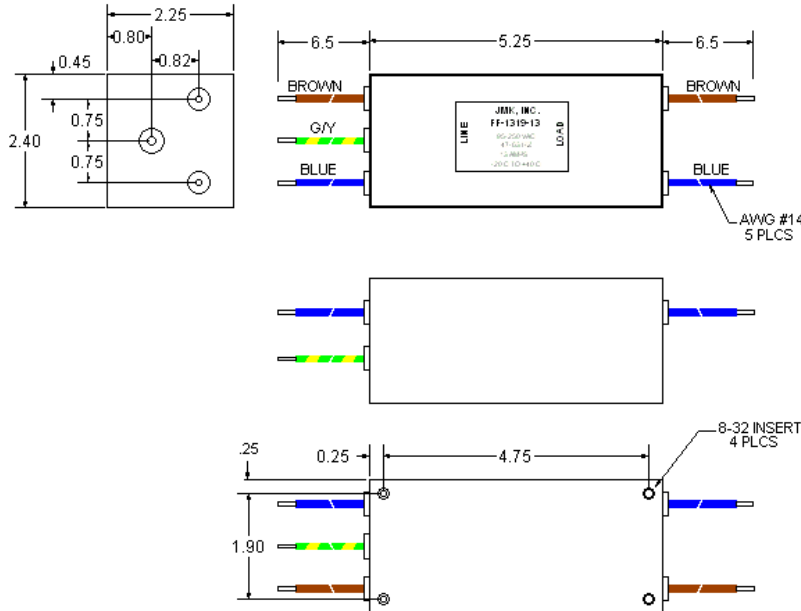
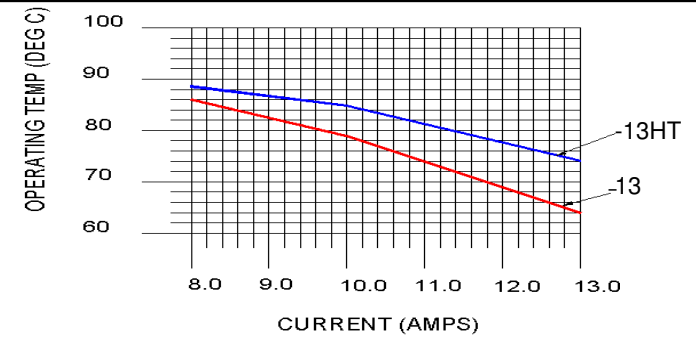
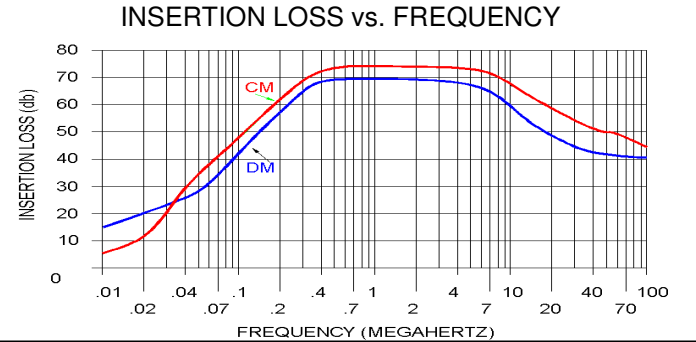
Temp. Range (Operating) (-13) @ 13.0 A = _ -40 to 64°C
 (-13HT) @ 13.0 A = -40 to 75°C
 See temp graph

Diel. Withstanding Voltage (Ph - Case) = _____ 1500 Vac
 Diel. Withstanding Voltage (Ph - Ph) = _____ 1500 Vdc

Leakage Current @ 250 Vac, 60 HZ = _____ 2.5 mA Max

Discharge Voltage after 60 sec = _____ 34 V Max

Calculated MTBF = _____ 2,278,891 Hrs



USA JMK Inc 15 Caldwell Dr. Amherst, NH 03031 PH: 603 886-4100 FX: 603 886-4115
 email: info@jmkfilters.com
 EUR JMK Inc Glasgow G13 1DN Scotland UK PH: 44-(0) 7785310729 Fax: 44-(0) 141 589 1884