

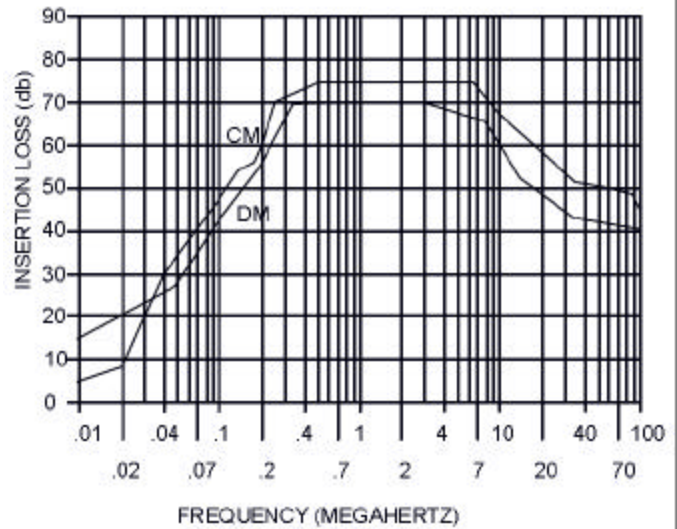
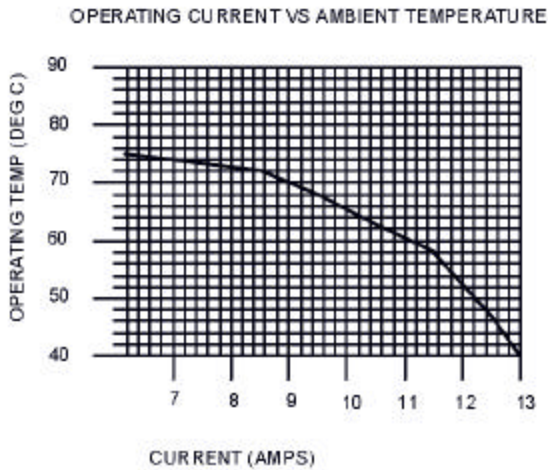
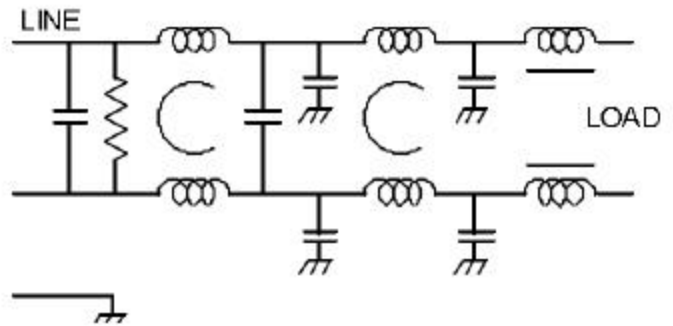


# FF-1279-14

This filter has been designed to operate with the Vicor "VI- HAMD / BAMD harmonic attenuator modules" to meet EN55022, class B.

Operating voltage = DC to 250 V~  
 Operating current (max) = 13 Amperes  
 Frequency = 50/60 hz  
 Temp. range (storage) = -40 to 85 c  
 Temp. range (operating) @ 12.6 amp = -20 to 45 c

Diel. withstanding voltage(ph-case) = 1500 V~  
 Diel. withstanding voltage(ph-ph) = 1500 Vdc  
 Leakage current @ 250v~, 60hz = 2.5 ma max.  
 Discharge voltage after 60 sec = 34 V max.



**Order Part number:**  
**FF-1279-14**

