



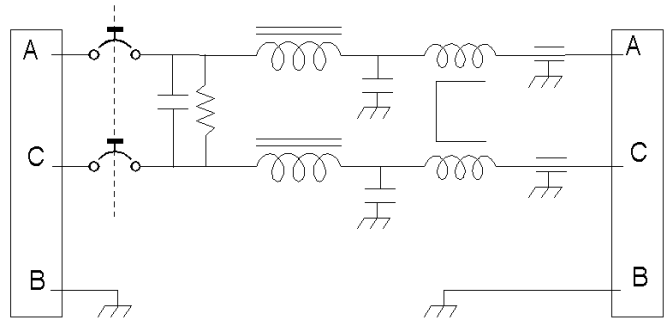
ZG-1435-5B

The ZG-1435-5B filter has been designed for systems operating under the requirements of MIL-STD-461C. If MIL-STD-461D, E or, F are specified then part number ZG-1435-5BD should be specified.

The difference is that the differential capacitor is repositioned on the line side in order to match the test configuration of 461D and E.

The filter case is environmentally sealed and is designed to handle the shock and vibration of wheeled vehicle installations.

The circuit uses "Feed-Through Capacitors" with an insertion loss is 60 db to 1.0 Ghz and beyond.



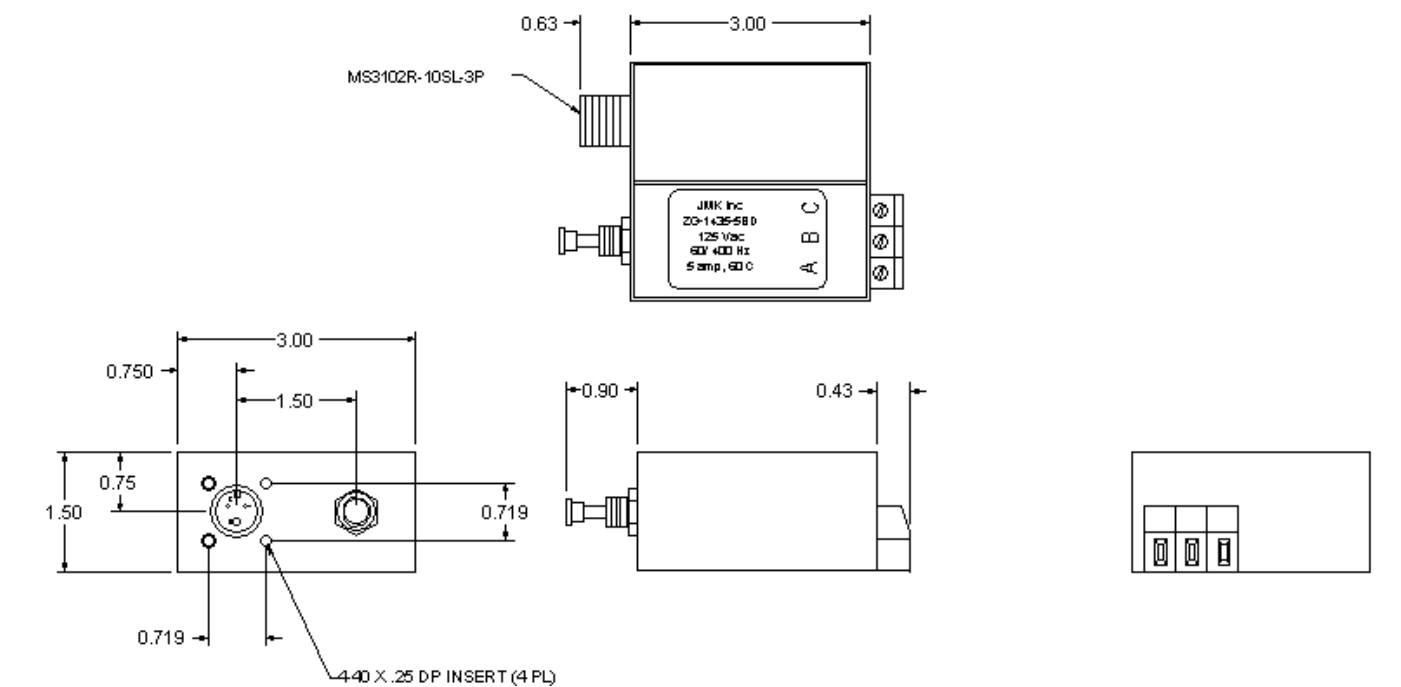
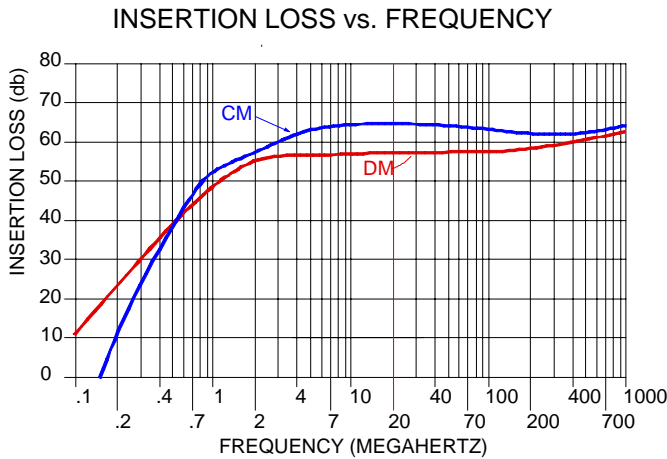
Operating Voltage = _____ 125 Vac
 Operating Current = _____ 5.0 Amps
 Operating Frequency = _____ 60—400 Hz

Temperature Range (Storage) = _____ -40 to 105°C
 Temperature Range (Operating) = _____ -40 to 65°C

Leakage Current (Max) @ 125 V~, 60 Hz = ____ 0.85 mA

Diel. Withstand (L-Grd), (1 Min) = _____ 1500 Vac
 Diel. Withstand (L-L), (1 Min) = _____ 1500 Vdc

Calculated MTBF = _____ 1,382,271 Hrs @ 30°C GB



USA JMK Inc 15 Caldwell Dr. Amherst, NH 03031 PH: 603 886-4100 FX: 603 886-4115
 email: info@jmkfilters.com

EUR JMK Inc Glasgow G13 1DN Scotland UK PH: 44-(0) 7785310729 Fax: 44-(0) 141 589 1884