



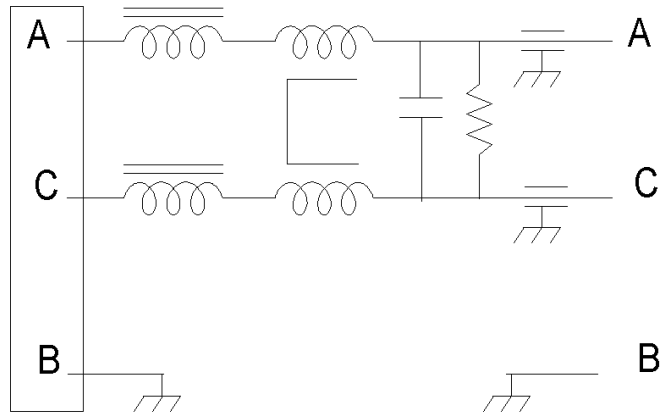
# ZC-1072-10

This filter provides very good common mode and differential mode insertion loss for 10 amp single phase systems.

This filter is designed for military systems with requirements to meet the MIL-STD-461 emissions specification.

The standard construction is more than adequate for most installation environments.

Should your application require operation in a more severe environment, JMK's engineering staff can modify the mechanical construction to meet the most severe design criteria.



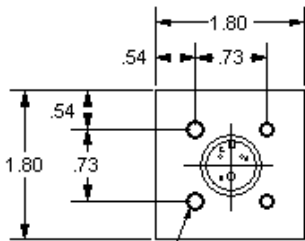
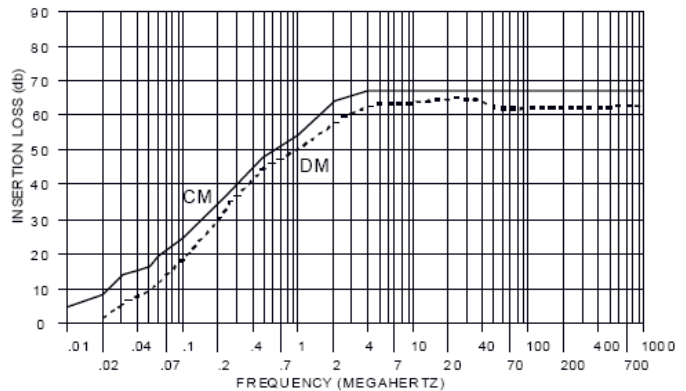
Operating Voltage = \_\_\_\_\_ 125 V~  
 Operating Current (max) = \_\_\_\_\_ 10 Amps  
 Operating Frequency = \_\_\_\_\_ dc - 400 Hz  
 Temperature Range (storage) = \_\_\_\_\_ -40 to 85°C  
 Temperature Range (operating) = \_\_\_\_\_ -20 to 60°C

Diel. Withstanding Voltage (ph - case) = \_\_\_\_\_ 1000 v~  
 Diel. Withstanding Voltage (ph - ph) = \_\_\_\_\_ 1000 Vdc  
 Leakage Current @ 125 v~, 60 hz = \_\_\_\_\_ 0.6 mA Max  
 Discharge voltage after 60 sec = \_\_\_\_\_ 34 V Max

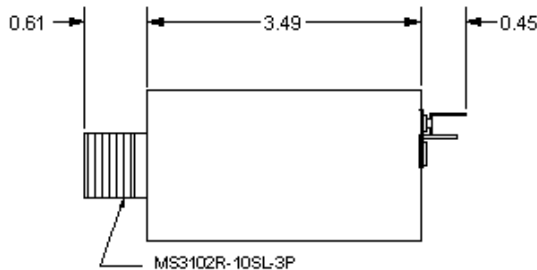
Calculated MTBF = \_\_\_\_\_ 3,614,166 Hrs 30°C GB

Order P/N: ZC-1072-10

INSERTION LOSS vs. FREQUENCY



4.40 X .25 DP INSERT (4 PL)



M83102R-10SL-3P

