



MM-1701-110

Operating Voltage = _____ 48 / 60 VDC
 Operating Current (Max) = _____ 110 Amp

Temperature Range (Storage) = _____ -55 to 100°C
 Temperature Range (Operating) = _____ -20 to 50°C

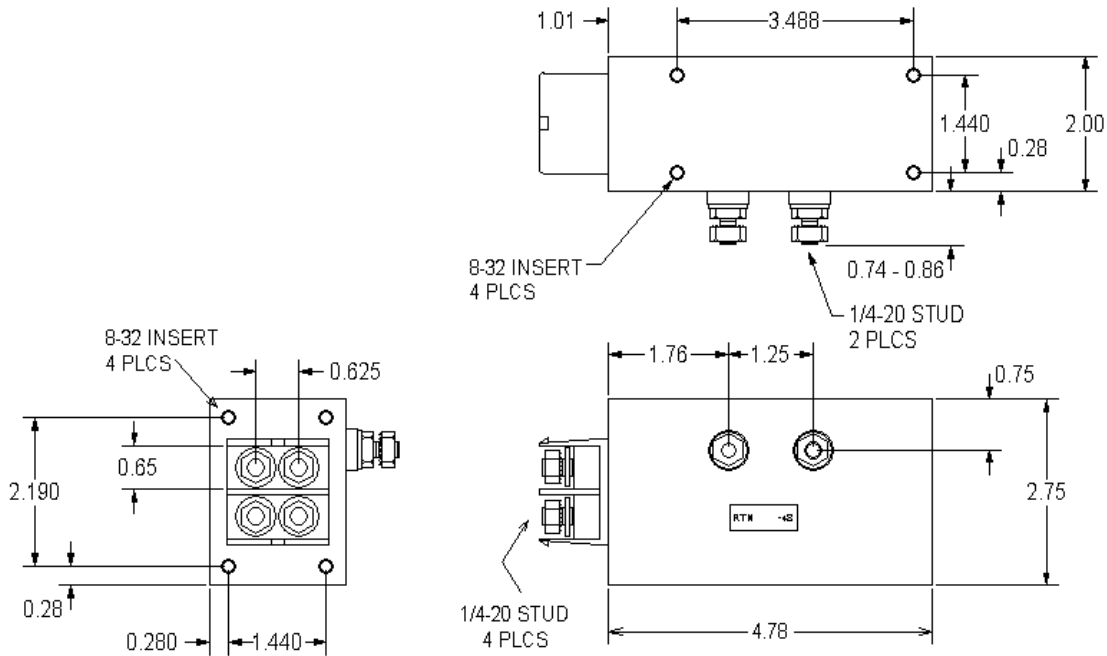
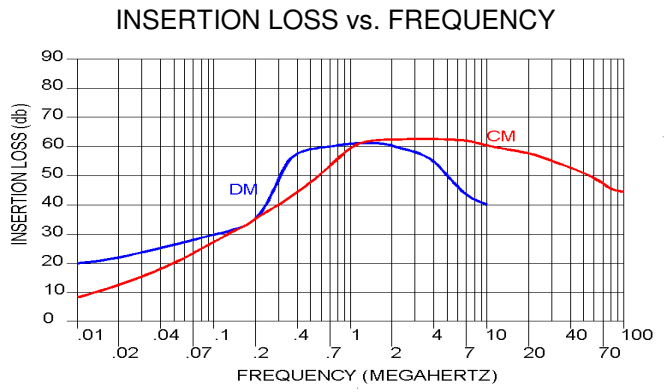
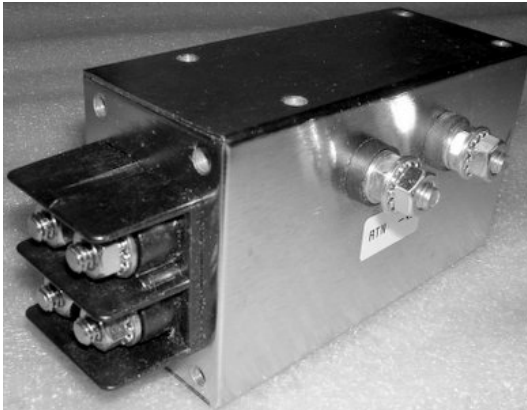
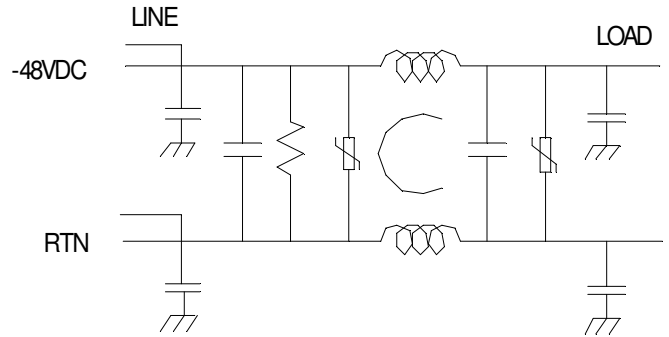
Diel. Withstanding Voltage (Term - Case) = __ 1500 VDC

Transient suppression:
 Varistor Voltage = _____ (108—132 Vdc)
 Energy Rating (10 x 1000 us pulse) = 176 Joules

Agency approval: CSA (Canada & US)
 Certificate #: 1633498 (LR50822)

This filter is ROHS compliant.

Calculated MTBF = _____ 455,339 Hrs @ 30°C GB



USA JMK Inc 15 Caldwell Dr. Amherst, NH 03031 PH: 603 886-4100 FX: 603 886-4115
 email: info@jmkfilters.com
 EUR JMK Inc Glasgow G13 1DN Scotland UK PH: 44-(0) 7785310729 Fax: 44-(0) 141 589 1884