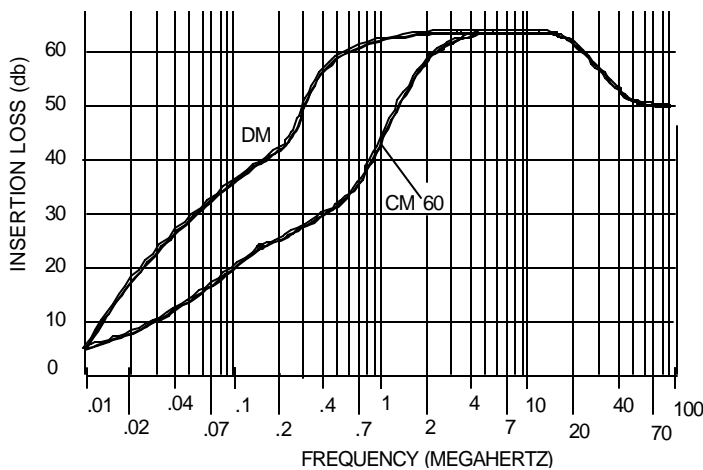
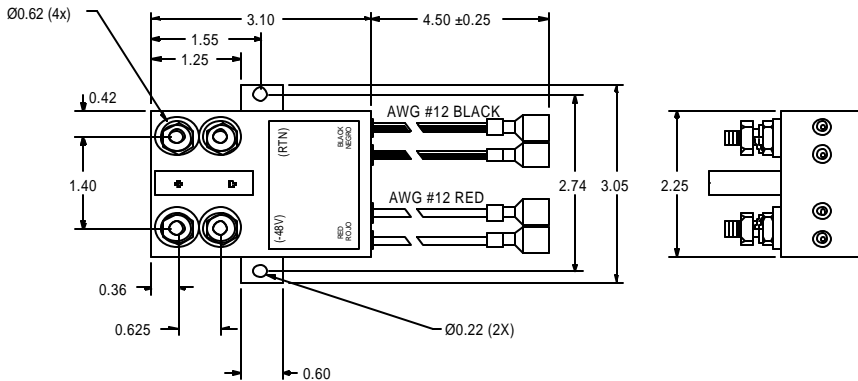
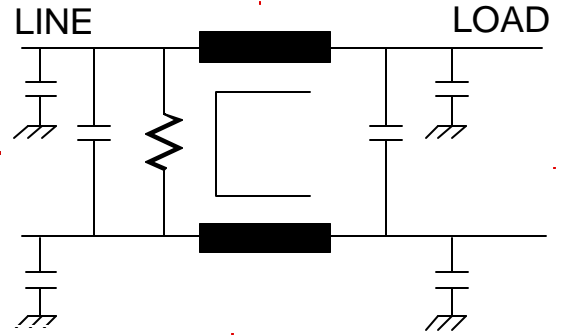




# MF-0637A-60BL

Operating Voltage = 48 Vdc  
Operating Current = 60 Amperes  
Operating Temperature Range = -40 to 50 C  
Dielectric Withstanding Voltage  
Line to Line: 707 Vdc for 1 minute  
Line to Case: 2250 Vdc for 1.0 min  
Safety Agency Approval = TUV  
CSA (Canada Y US)

Order P/N: MM-0637A-60BL



This EMI / RFI filter features a very small mechanical package. Even with this small size the common mode insertion loss and differential loss are more than is available in other similarly sized packages. This filter has additionally been designed to operate with severe unbalanced current loading. It can withstand up to a 30% unbalance in line and return without degrading the common mode insertion loss. This capability is very useful when the filter is used in dual systems with shared returns. This filter package is ruggedly designed to operate in automotive as well as telecommunication environments

USA JMK Inc 15 Caldwell Dr. Amherst, NH 03031 PH: 603 886-4100 FX: 603 886-4115  
email: info@jmkfilters.com  
EUR JMK Inc Glasgow G13 1DN Scotland UK PH: 44-(0) 7785310729 Fax: 44-(0) 141 589 1884