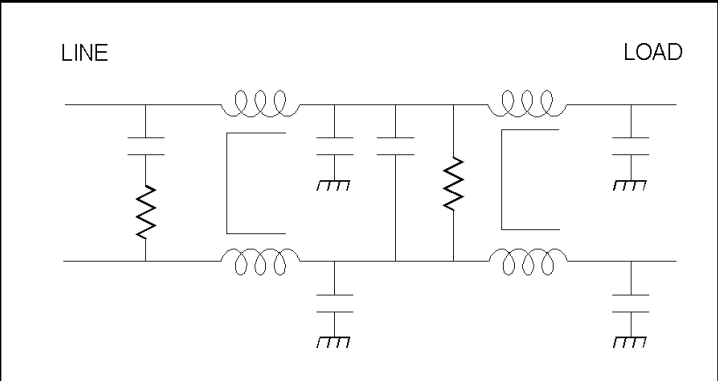




# KK-1920-25

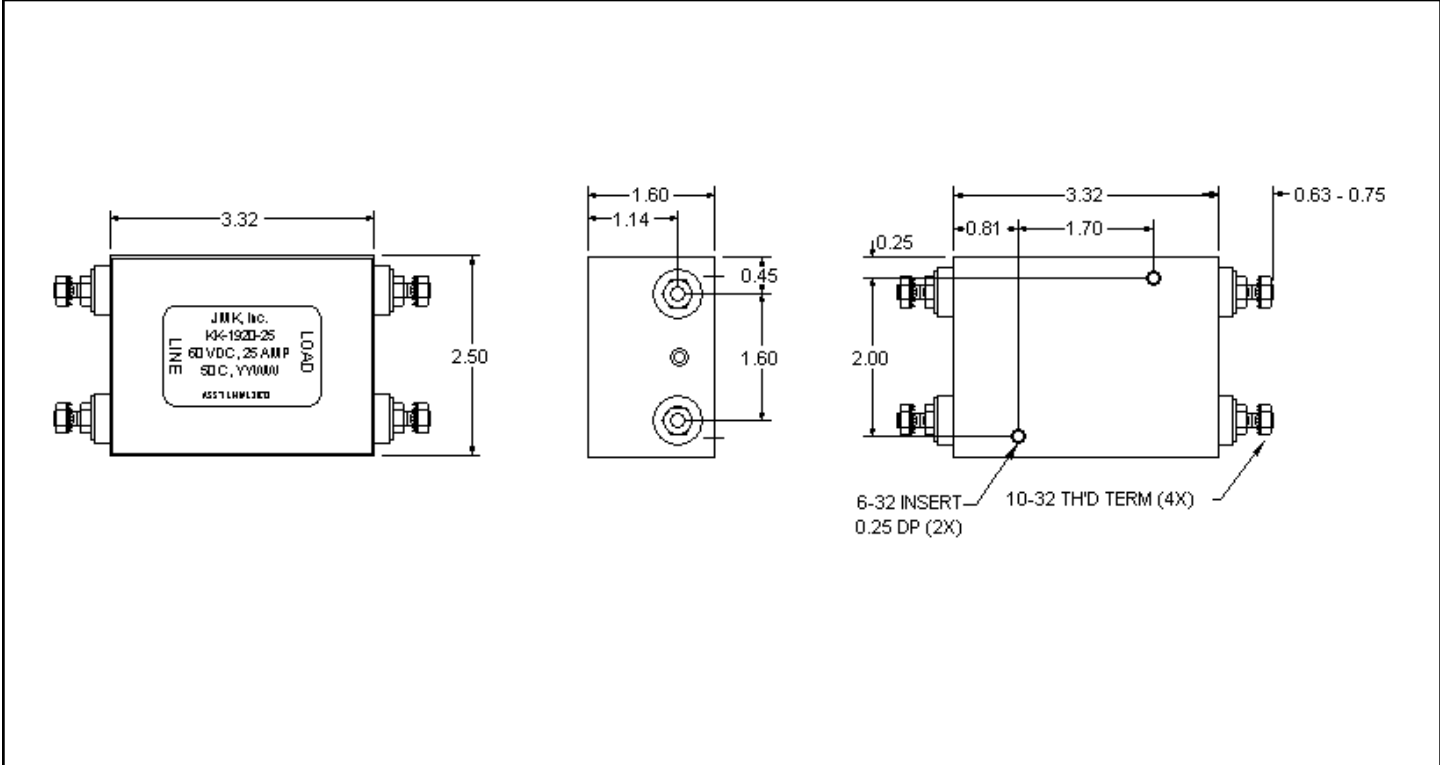
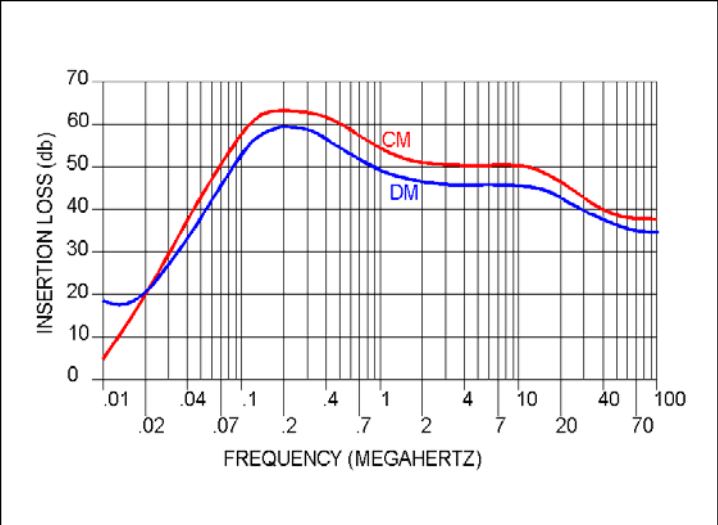
Operating Voltage = 60 VDC  
 Operating Current (Max) = 25 Amp  
 Temperature Range (Storage) = -40 TO 100 C  
 Temperature Range (Operating) = -20 TO 50 C  
 Diel. Withstanding Voltage (Term - Case) = 1500 VDC  
 Diel. Withstanding Voltage (Term - Term) = 500 VDC  
  
 Weight: 1.5 Lbs  
  
 ROHS: This filter is ROHS compliant .



The KK-1920-25 filter is designed to operate in Telecom and other DC power environments.

The filter provides high insertion loss from low frequencies to 100 Mhz .

The small package size is ideal where a lot of insertion loss is required in a small package size



USA JMK Inc 15 Caldwell Dr. Amherst, NH 03031 PH: 603 886-4100 FX: 603 886-4115  
 email: info@jmkfilters.com  
 EUR JMK Ltd Glasgow G131DN Scotland UK PH: 44-(0) 778 531-0729 FX: 44-(0) 141 589-1884