

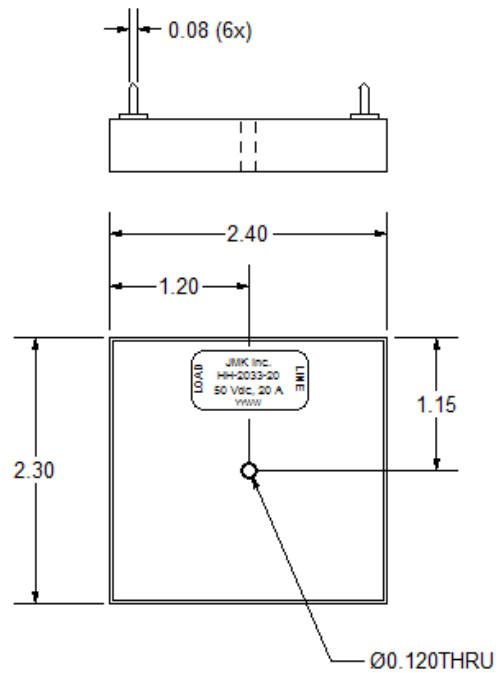
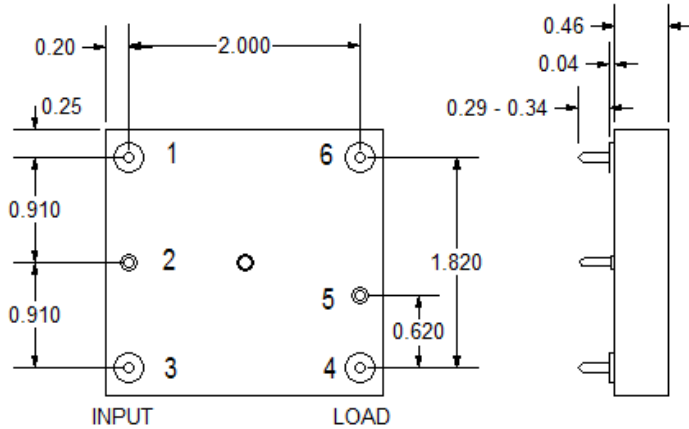
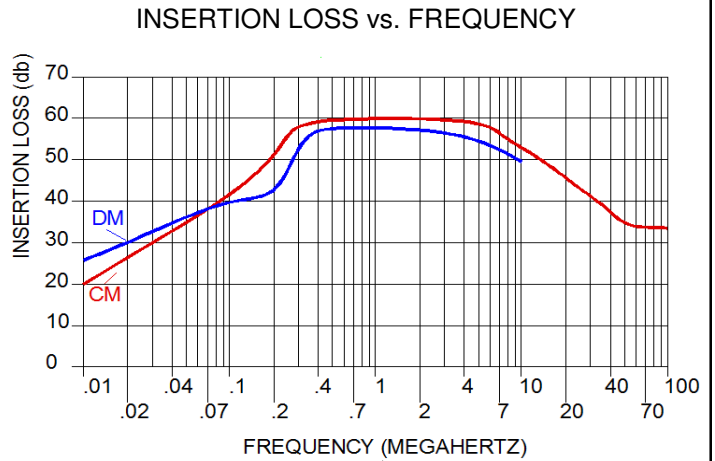
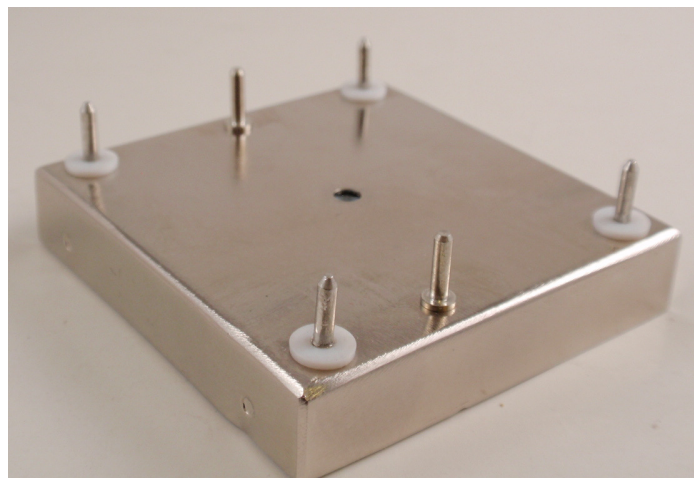
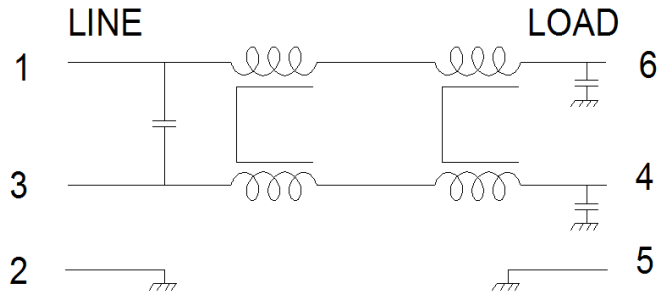


HH-2033-20

Operating Voltage = _____ 50 Vdc Max
 Operating Current Max = _____ 20.0 Amp
 Operating Temperature = _____ -40 to 85°C
 Storage Temperature = _____ -40 to 100°C

DC Resistance Per Leg = _____ 0.005 Ω
 Polarization = _____ Non-polarized
 Pin markings = _____ For reference only
 Load Side Ground = _____ Offset to facilitate installation

Calculated MTBF = _____ 15,688,735 Hrs @ 30°C GB



USA JMK Inc 15 Caldwell Dr. Amherst, NH 03031 PH: 603 886-4100 FX: 603 886-4115
 email: info@jmkfilters.com
 EUR JMK Inc Glasgow G13 1DN Scotland UK PH: 44-(0) 7785310729 Fax: 44-(0) 141 589 1884