



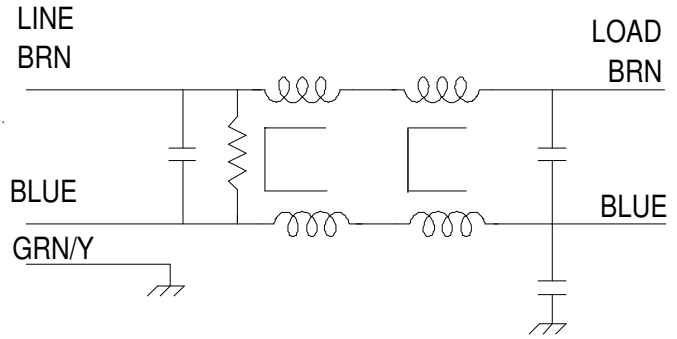
FF-1513-3

The FF-1513-3 filter has been designed to operate at the input power point of medical equipment.

The filter features low leakage current and the basic filter is configured to be compatible with FCC and EN55022 requirements.

Agency approvals= UL

Order P/N: FF-1513-3



Operating Voltage (AC)= _____ 115 / 250 V~
 Operating Current= _____ 3.0 Amp
 Operating Frequency= _____ 50/60 Hz
 Operating Temperature= _____ -25° to 50°C

Diel. Withstanding (line - case)= _____ 1500 Vac
 Diel. Withstanding (line - line)= _____ 1500 Vdc

Leakage Current= _____ 60 uA Max. @ 125 VAC, 60 Hz
 = _____ 100 uA Max. @ 250 VAC, 50Hz

Max Residual Voltage after 1 sec= _____ 34 Volts

Calculated MTBF= _____ 1,306,174 Hrs @ 30°C GB

