

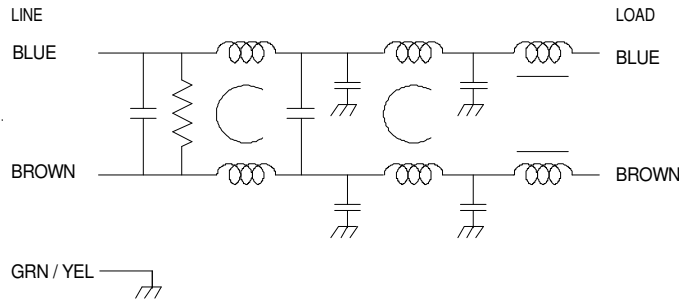


FF-1319-13H

This filter has been designed to operate with the Vicor "VI- HAMD / BAMD harmonic attenuator modules" to meet EN55022, class B.

This model is identical to the (-13) except for the form factor of the enclosure.

Order P/N: FF-1319-13H



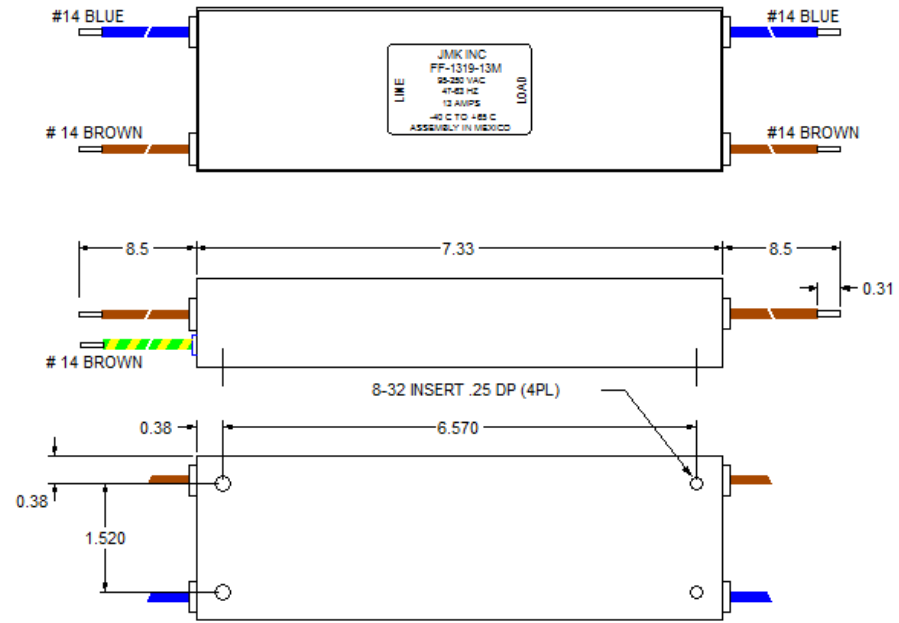
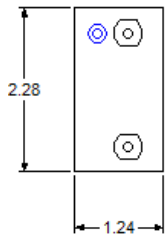
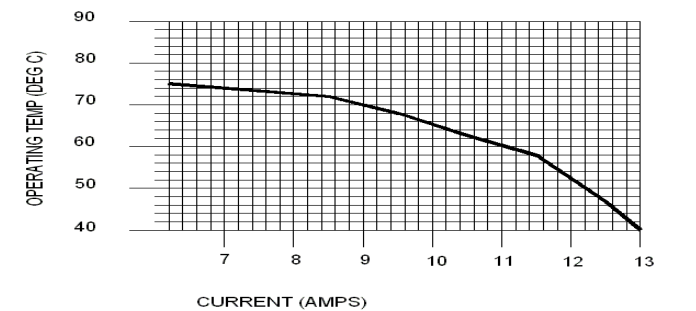
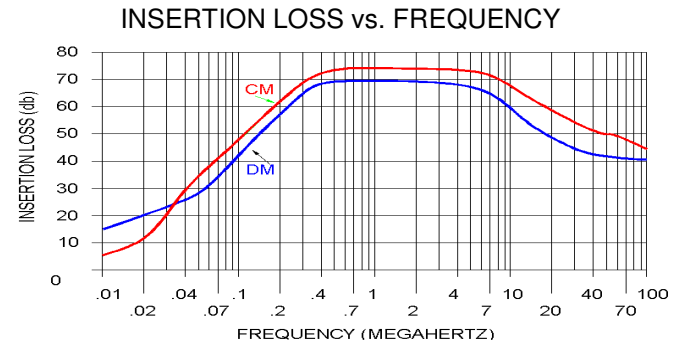
Operating Voltage = _____ DC to 250 Vac
 Operating Current (Max) = _____ 13A
 Operating Frequency = _____ 50/60 Hz

Temp. Range (Storage) = _____ -40 to 85 °C
 Temp. Range (Operating) (-13C) @ 13.0 A = -40 to 65 °C

Diel. Withstanding Voltage (Ph - Case) = _____ 1500 Vac
 Diel. Withstanding Voltage (Ph - Ph) = _____ 1500 Vdc

Leakage Current @ 250 Vac, 60 HZ = _____ 2.5 mA Max
 Discharge Voltage after 60 sec = _____ 34 V Max

Calculated MTBF = _____ 2,278,891 Hrs



USA JMK Inc 15 Caldwell Dr. Amherst, NH 03031 PH: 603 886-4100 FX: 603 886-4115
 email: info@jmkfilters.com
 EUR JMK Inc Glasgow G13 1DN Scotland UK PH: 44-(0) 7785310729 Fax: 44-(0) 141 589 1884