

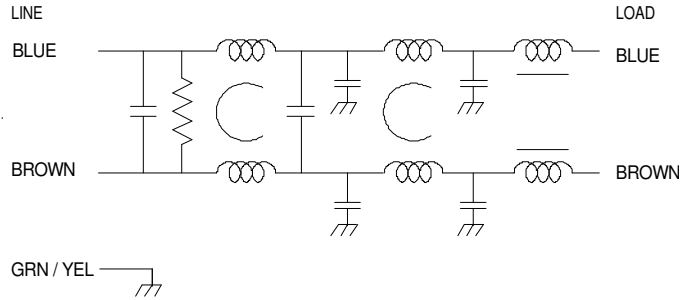


# FF-1319-13E

This filter has been designed to operate with the Vicor "VI - HAMD / BAMD harmonic attenuator modules" to meet EN55022, class B.

This is a special model with a modified form factor, Raychem 44A0111 wire leads and a wide operating range from -40C to +65C.

Order P/N: FF-1319-13E



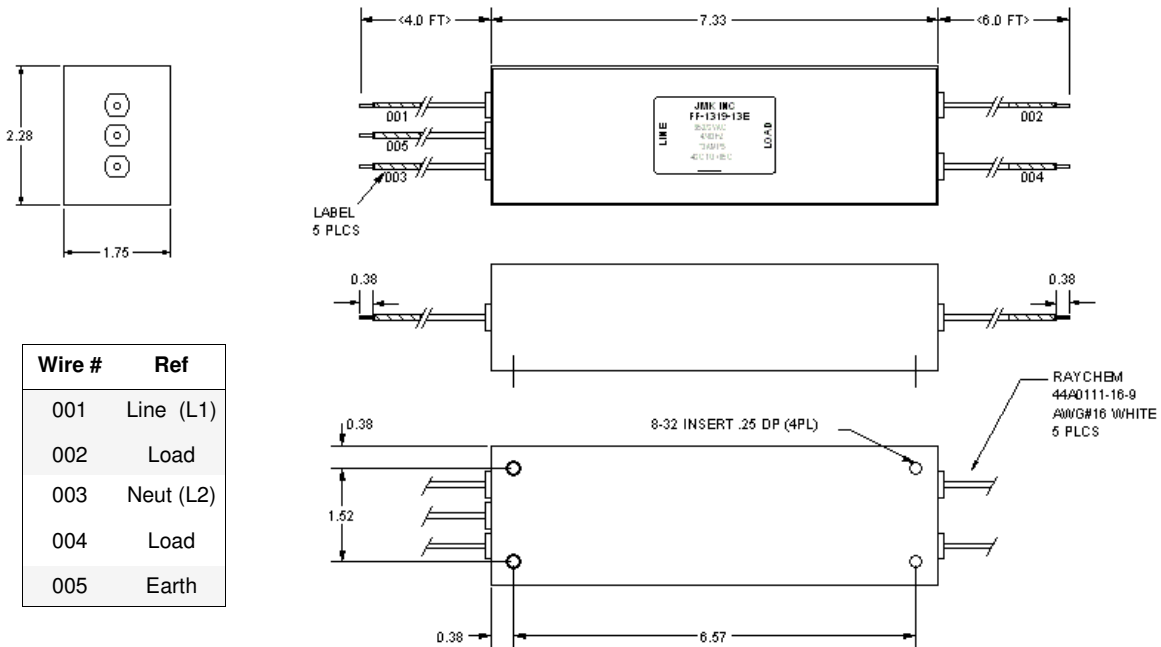
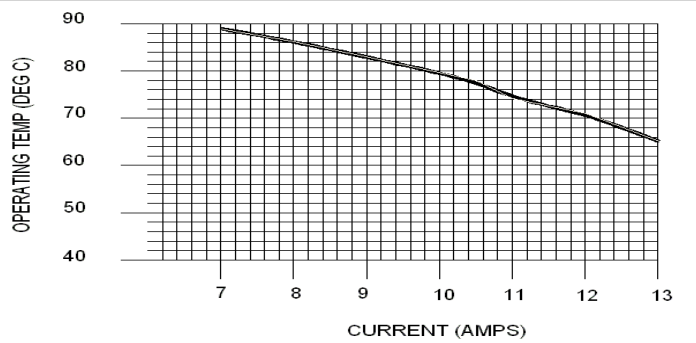
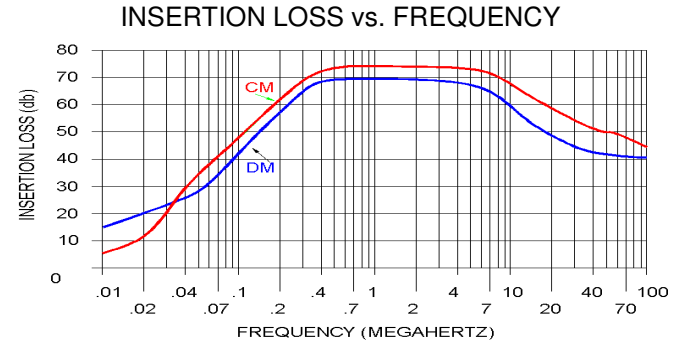
Operating Voltage = \_\_\_\_\_ DC to 270 Vac  
 Operating Current (Max) = \_\_\_\_\_ 13A  
 Operating Frequency = \_\_\_\_\_ 50/60 Hz

Temp. Range (Storage) = \_\_\_\_\_ -40 to 85 °C  
 Temp. Range (Operating) (-13C) @ 13.0 A = -40 to 65 °C

Diel. Withstanding Voltage (Ph - Case) = \_\_\_\_\_ 1500 Vac  
 Diel. Withstanding Voltage (Ph - Ph) = \_\_\_\_\_ 1500 Vdc

Leakage Current @ 250 Vac, 60 HZ = \_\_\_\_\_ 2.7 mA Max  
 Discharge Voltage after 60 sec = \_\_\_\_\_ 34 V Max

Calculated MTBF = \_\_\_\_\_ 2,278,891 Hrs



Wire #	Ref
001	Line (L1)
002	Load
003	Neut (L2)
004	Load
005	Earth

USA JMK Inc 15 Caldwell Dr. Amherst, NH 03031 PH: 603 886-4100 FX: 603 886-4115  
 email: info@jmkfilters.com  
 EUR JMK Inc Glasgow G13 1DN Scotland UK PH: 44-(0) 7785310729 Fax: 44-(0) 141 589 1884