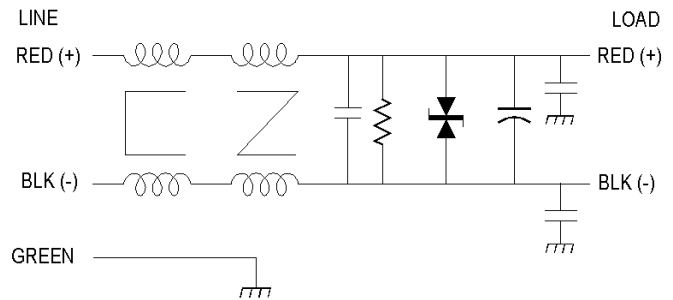


Operating Voltage = 100 Vdc
 Operating Current MAX = 2 Ampere
 Temperature Range = -20 to 50 C
 Dielectric Withstand (L-Grd), 1 Min = 1500 Vac

Order P/N: **FF-1135-2**



The 1135 series is designed to provide Filtering for DC systems operating in very noisy environments. The 1135 filter series will attenuate RF noise from switching power supplies as well as transient noise from relays and other switching devices.

