



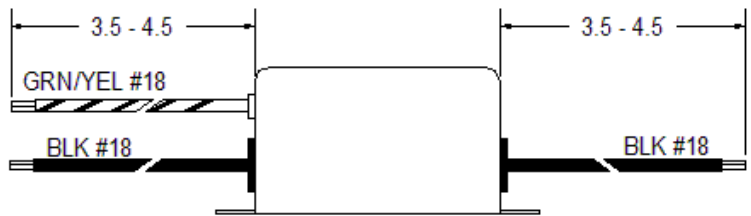
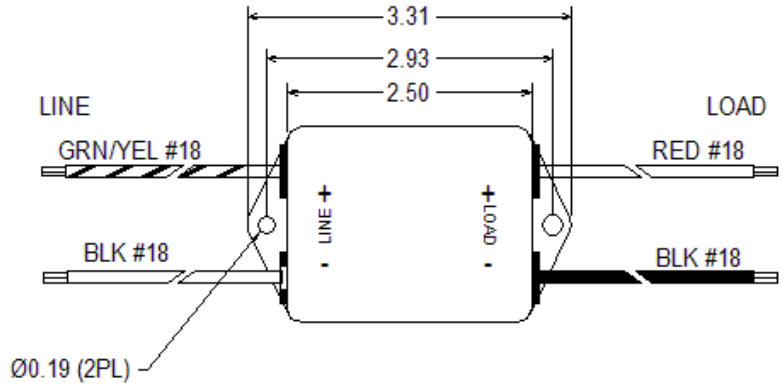
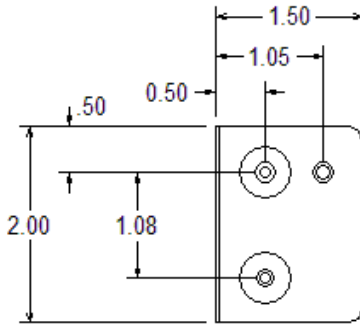
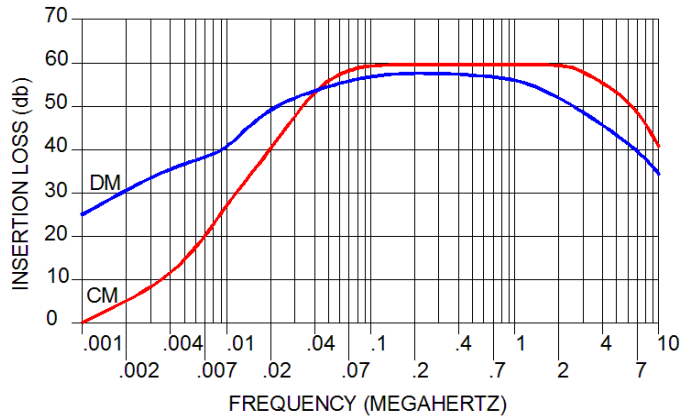
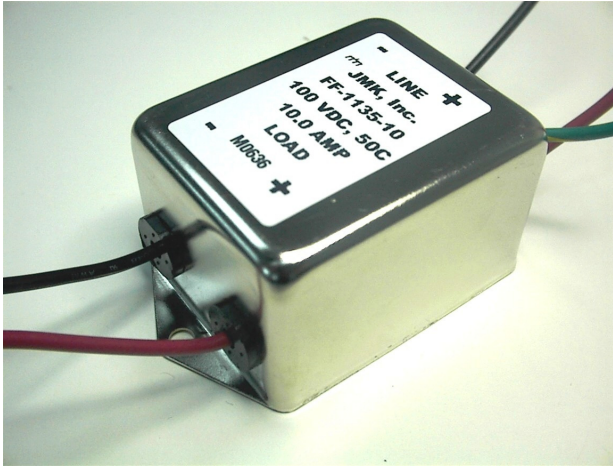
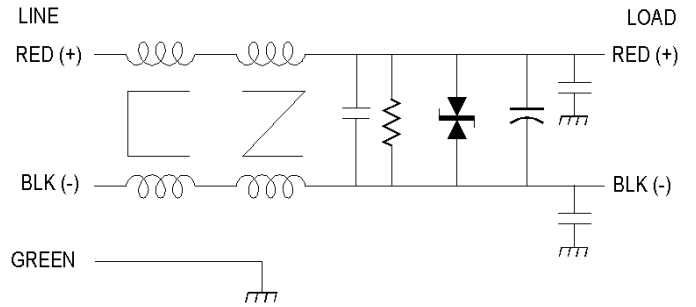
FF-1135-10

The 1135 series is designed to provide filtering for DC systems operating in very noisy environments.

The 1135 filter series will attenuate RF noise from switching power supplies as well as transient noise from relays and other switching devices.

Order P/N: FF-1135-10

Operating Voltage: _____ 100 Vdc
 Operating Current Max: _____ 10 Amp
 Temperature Range: _____ -20° to 50°C
 Dielectric Withstand (L-Grd), 1 Min: _____ 1500 Vac
 MTBF = 14,095,624 hours at 30oC GB



USA JMK Inc 15 Caldwell Dr. Amherst, NH 03031 PH: 603 886-4100 FX: 603 886-4115
 email: info@jmkfilters.com
 EUR JMK Inc Glasgow G13 1DN Scotland UK PH: 44-(0) 7785310729 Fax: 44-(0) 141 589 1884