



# EF-1199-6B

Operating Voltage: \_\_\_\_\_ 125 / 250 V  
 Operating Current (Max): \_\_\_\_\_ 6.0 AMP  
 Frequency: \_\_\_\_\_ 50/400 Hz

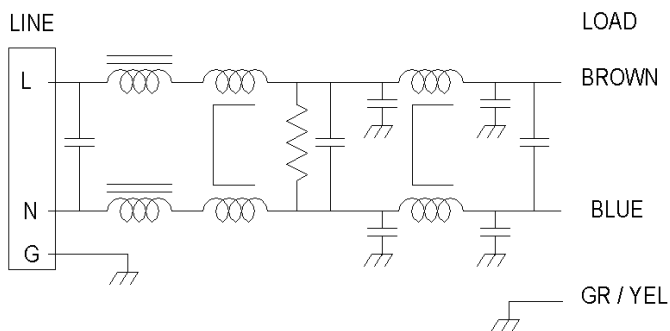
Temperature Range (Storage): \_\_\_\_\_ -40 to 100°C  
 Temperature Range (Operating): \_\_\_\_\_ -20 to 50°C

Diel. Withstanding Voltage (Line—case): \_\_\_\_\_ 1500 Vac  
 Diel. Withstanding Voltage (line—Line): \_\_\_\_\_ 1500 Vdc

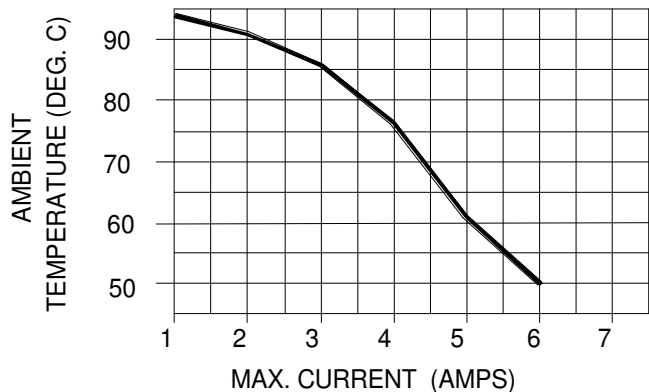
Leakage Current @250 Vac, 60 Hz: \_\_\_\_\_ 2.5 mA  
 Max. Residual Voltage after 1.0 sec: \_\_\_\_\_ 34 V Max

Calculated MTBF: \_\_\_\_\_ 2,476,878 Hrs @ 30°C GB

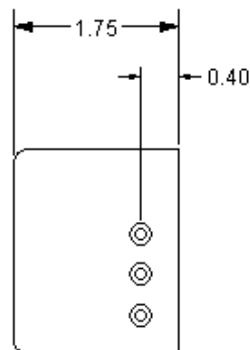
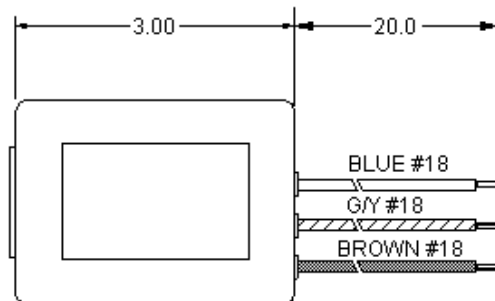
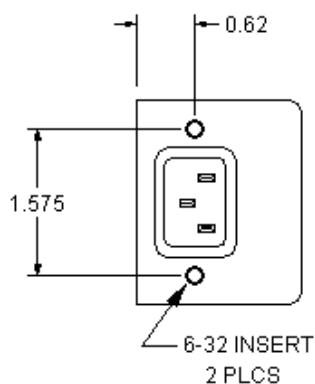
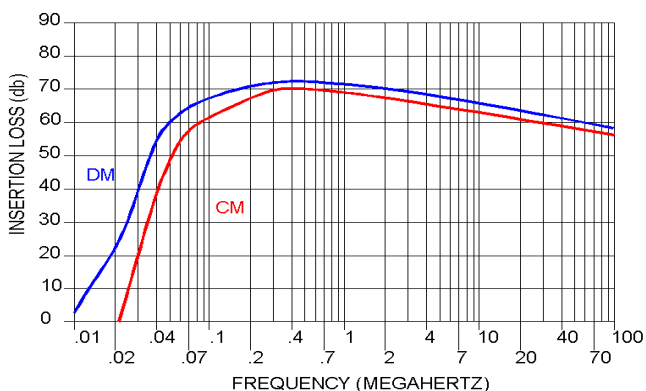
Order P/N: EF-1199-6B



**TEMPERATURE DERATING**



**INSERTION LOSS vs. FREQUENCY**



USA JMK Inc 15 Caldwell Dr. Amherst, NH 03031 PH: 603 886-4100 FX: 603 886-4115  
 email: info@jmkfilters.com  
 EUR JMK Inc Glasgow G13 1DN Scotland UK PH: 44-(0) 7785310729 Fax: 44-(0) 141 589 1884