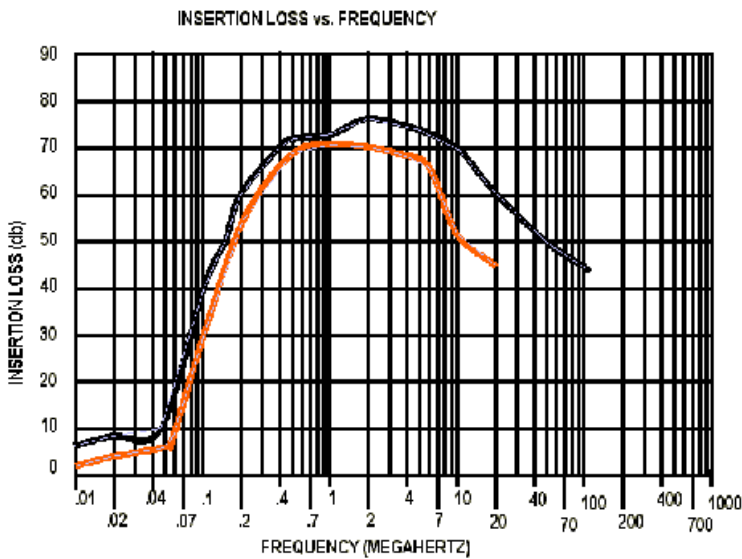
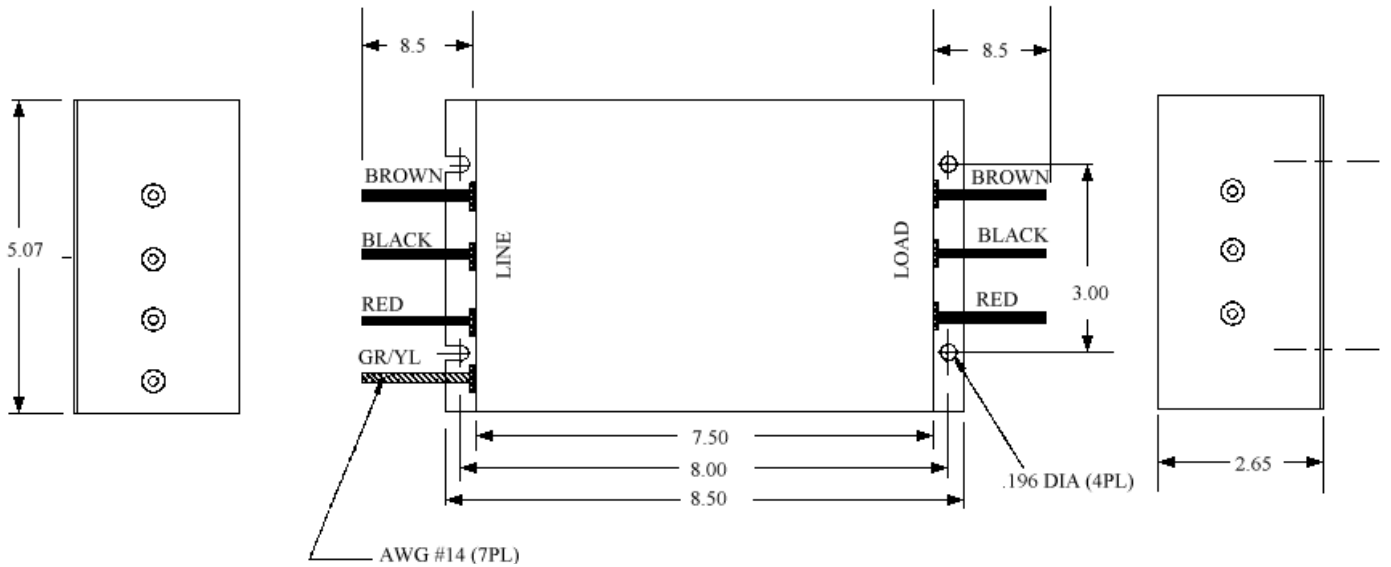
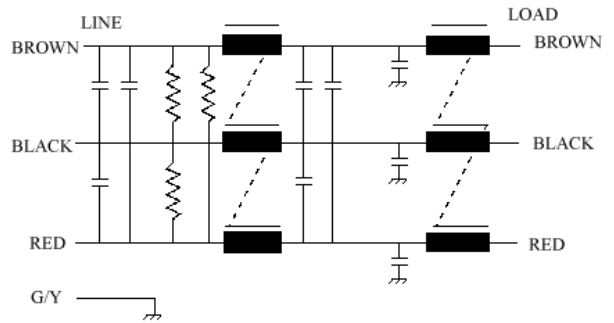




# 0815 SERIES

Operating Voltage = 250/480 V ac 3 PH Delta  
 Operating Current Max= 12 & 18 amps  
 Operating Frequency = 50 - 60Hz  
 Operating Temperature = -20 to +50oC  
 Dielectric Withstand (L to Case)= 2500V ~for 1 Min.  
 Dielectric Withstand (L to L) = 2500V dc for 1 Min.  
 Leakage current @ 250V ~60Hz= 0.35 mA at 250V ac, 50Hz  
 Max Residual Voltage after 5 secs = 6 Volts Max  
 Agency Approvals = 12Amps UL,C SA,TUV. 1.8 Amp Pending



The 815 series is a 3 phase delta filter. This series is designed to be used with switching power supplies which are required to meet the emission specifications of VDE level "B".

USA JMK Inc 15 Caldwell Dr. Amherst, NH 03031 PH: 603 886-4100 FX: 603 886-4115  
 email: info@jmkfilters.com  
 EUR JMK Inc Glasgow G13 1DN Scotland UK PH: 44-(0) 7785310729 Fax: 44-(0) 141 589 1884