

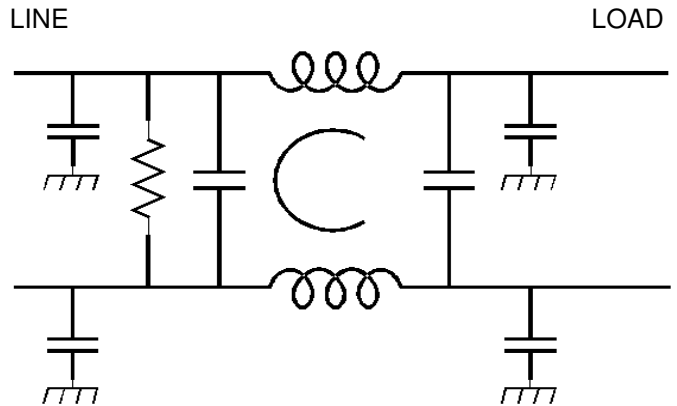


# 637 SERIES

The 637 series filter is a very compact DC filter intended for use with telecommunication hardware which features a very small mechanical package.

The common mode insertion loss and differential loss is very good and can withstand severe vibration and shock environments.

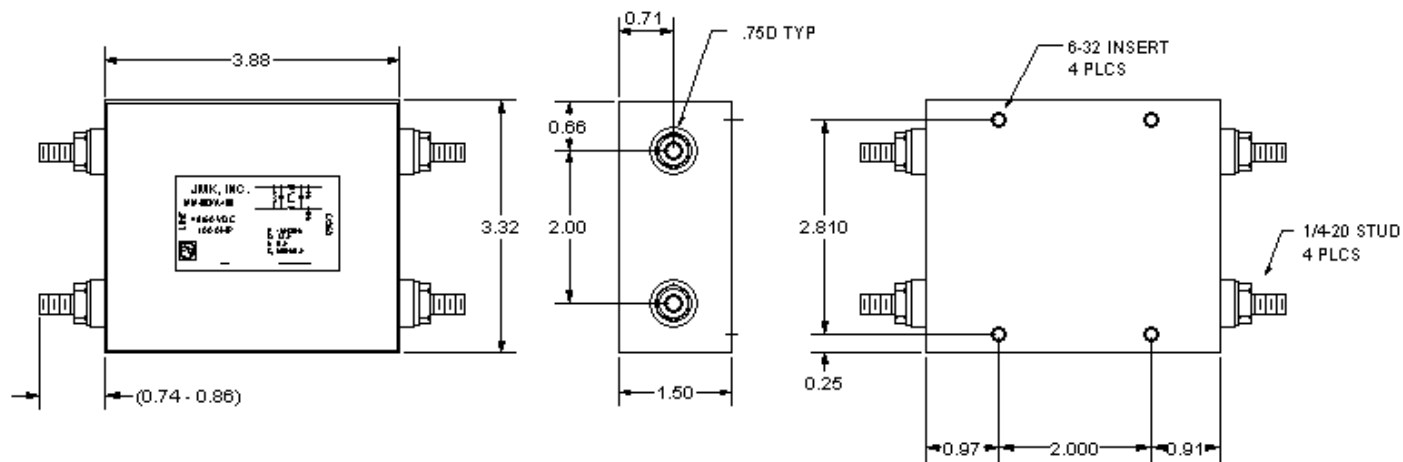
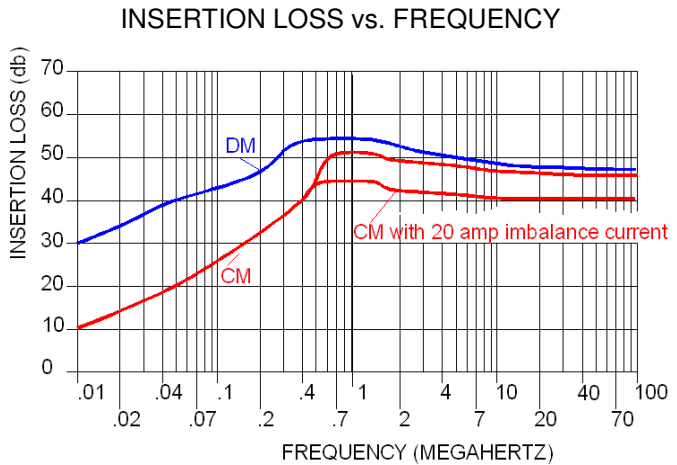
This filter has also been designed to operate with severe unbalanced current loading. Therefore, the filter will work well if one side is grounded, such as in automotive applications, as with balanced loads.



Operating Voltage = \_\_\_\_\_ 48 Vdc  
 Operating Current = \_\_\_\_\_ 35, 50 Amps  
 Operating Temperature Range = \_\_\_\_\_ -40 to 50 °C

Diel. Withstanding Voltage =  
 Line to Line: 707 Vdc for 1 minute  
 Line to Case: 2250 Vdc for 1.0 min

Order P/N:  
 30 amperes -- KK-0637-30  
 35 amperes -- MM-0637-35  
 50 amperes -- MM-0637-50



USA JMK Inc 15 Caldwell Dr. Amherst, NH 03031 PH: 603 886-4100 FX: 603 886-4115  
 email: info@jmkfilters.com  
 EUR JMK Inc Glasgow G13 1DN Scotland UK PH: 44-(0) 7785310729 Fax: 44-(0) 141 589 1884