



1138 SERIES

The 1138 series is a 3 phase (WYE) filter.

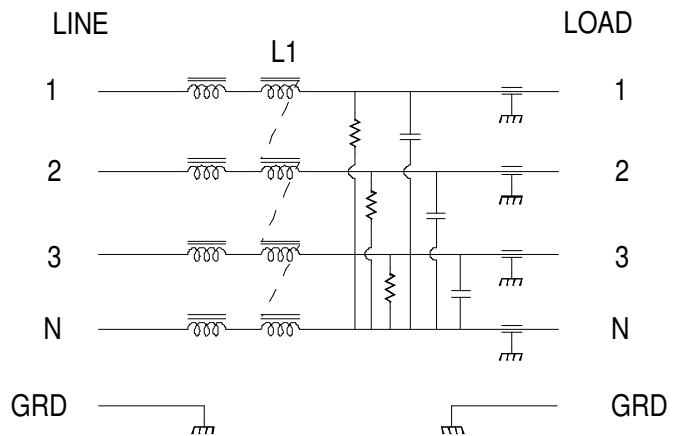
This series is designed to be used with military systems which are required to meet the conducted emissions of MIL STD-461C.

The filter is potted and constructed to meet shock and vibration requirements.

Minor modifications can be done to adjust the filter configuration in order to meet any special customer specifications.

Ordering Information

- 10 Amp: CC-1138-10
- 15 Amp: CC-1138-15



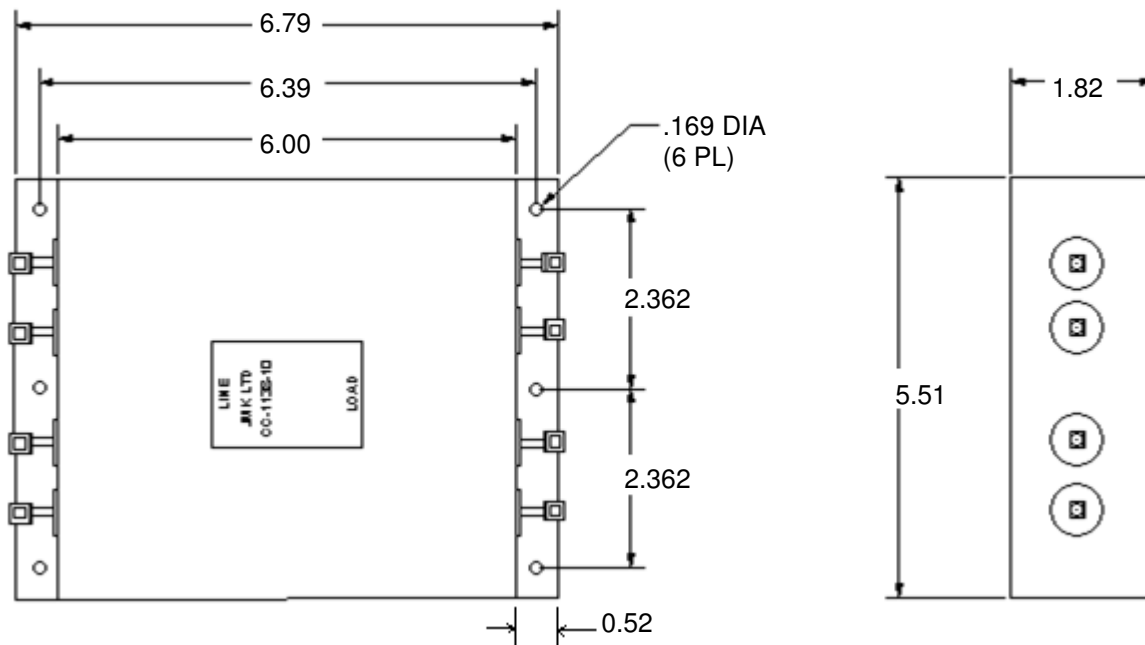
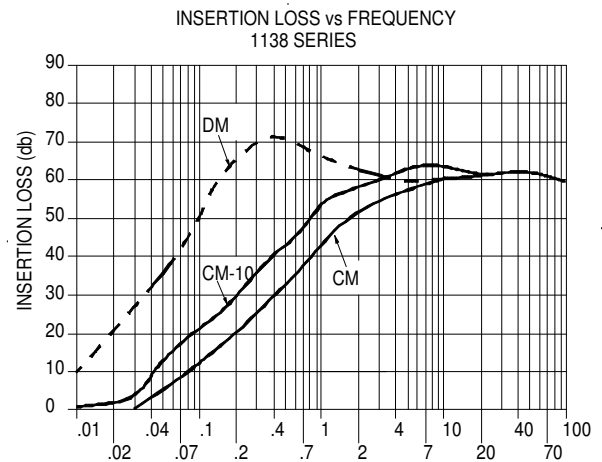
Operating Voltage = _____ 250/480 V~, 50 / 60 Hz
 Operating Voltage = _____ 125/208 V~, 50 – 400 Hz
 Operating Current = _____ 10, 15 Amp / Phase
 Temperature Range = _____ -20 to 50 °C

Diel. Withstand (L-Case) = _____ 1500 V~ for 1 Min.
 Diel. Withstand (L-L) = _____ 1500 Vdc for 1 Min.

Leakage Current = _____ 3.8 mA @ 250 V~, 60 Hz
 Discharge Volt after 1.0 sec. = _____ 24 V Max.

Maximum Capacitance each line to case = _____ 0.02 µF

Calculated MTBF = _____ 639,736 Hrs GB @ 30 °C



USA JMK Inc 15 Caldwell Dr. Amherst, NH 03031 PH: 603 886-4100 FX: 603 886-4115
 email: info@jmkfilters.com
 EUR JMK Inc Glasgow, Scotland UK PH: 44 (0) 7785-310729 FX: 44 (0) 1415-891884