



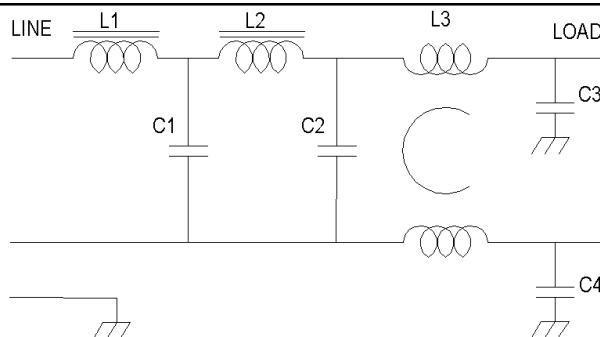
FF-2142-6.3

This filter has been designed to operate with the VICOR (HAM) Harmonic Attenuator Module.

The combination is designed to meet the conducted emissions requirements of EN 55015.

The filter will also function very well with most other fixed frequency switching power supplies.

Order P/N: FF-2142-6.3



Operating Voltage = _____ DC—250 Vac
 Operating Current (Max)= _____ 6.3A

Frequency = _____ 50/60 HZ @ 250 Vac
 = _____ 400 Hz @ 120 Vac

Temp. Range (Storage) = _____ -25°—100°C
 Temp. Range (Operating) (-13)@ 13.0 A = _____ -25°—60°C
 (See temp graph)

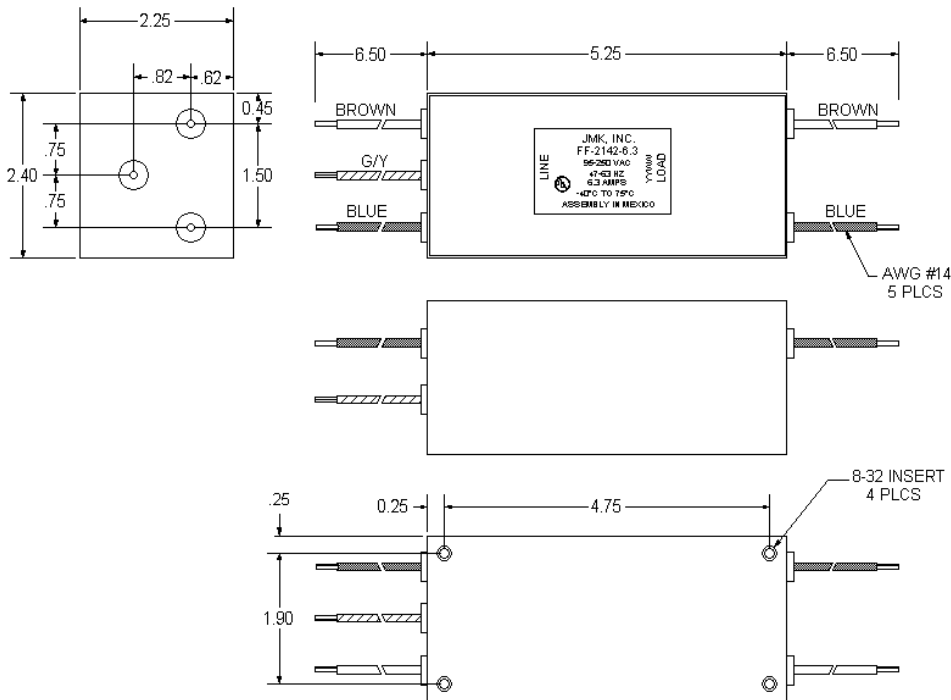
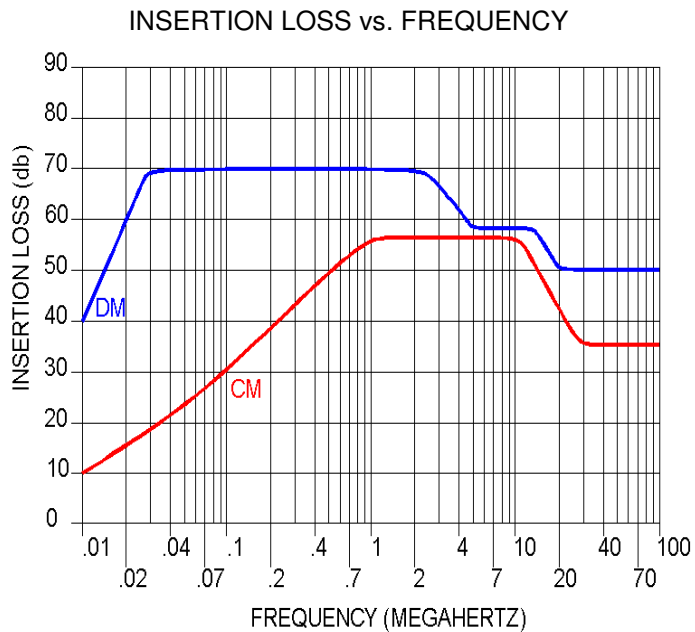
Dielectric Withstanding (Ph—Case) = _____ 1500 Vac; For 1 Min
 Dielectric Withstanding (Ph—Ph) = _____ 1500 Vdc; For 1 Min

Leakage Current @ 250 Vac, 60 HZ = _____ 0.5 MA max.

Discharge Voltage after 3 sec = _____ 20 V max.

Weight = _____ 2.5 Lbs

DCR = _____ 0.85 Ohm; ea. leg



USA JMK Inc 15 Caldwell Dr. Amherst, NH 03031 PH: 603 886-4100 FX: 603 886-4115
 email: info@jmkfilters.com
 EUR JMK Inc Glasgow G13 1DN Scotland UK PH: 44-(0) 7785310729 Fax: 44-(0) 141 589 1884



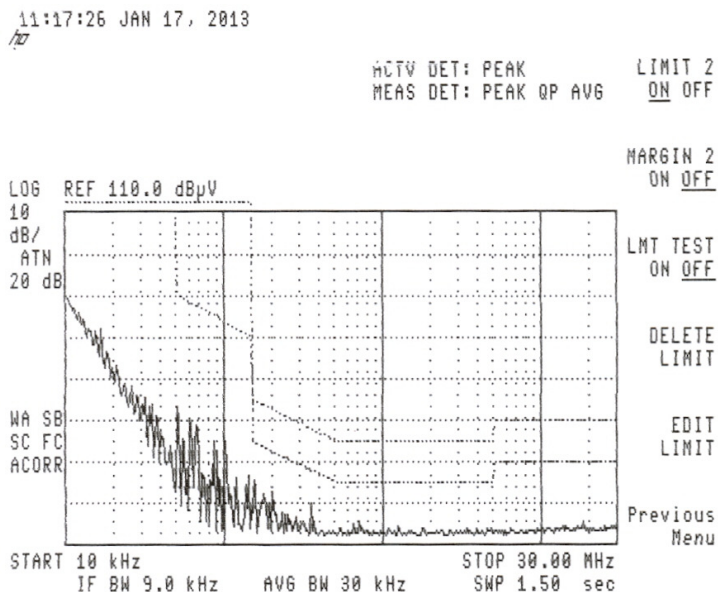
FF-2142-6.3

Conducted Emission Test Results:

Specification EN55015
Input Voltage: 220 V
Frequency: 60 Hz
Input Current: 6.3 amp
Output Power: ~600 Watt
Temperature: 23°C

Comments:

The "worst case" emissions occurred full load. The results for both the Primary line and the Neutral line were similar.



OPERATING CURRENT vs. AMBIENT TEMPERATURE

