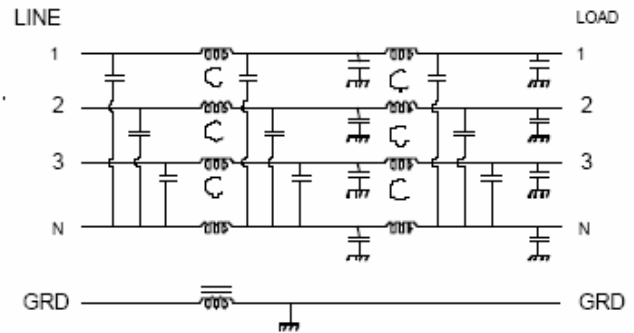


The MM-1477-60 filter is designed for use with large computer or motor installations where heavy current is drawn continuously. This filter can handle large in-rush current typical of modern power supplies. When data lines or power is shared with other systems the ground coil helps breakup ground loops which can cause system errors and also increase conducted RF emissions. This filter has the maximum insertion loss available in this small package. The common mode and differential insertion loss are roughly 50 db at 150 KHz.



Operating Voltage = 250/480 V~, 50 / 60 Hz  
 Operating Voltage = 125/208 V~, 50 – 400 Hz  
 Operating Current = 60 A / Phase  
 Temperature Range = -20 TO 50 Deg. C  
 Diel. Withstand (L-CASE) = 1500 V~ FOR 1 MIN.  
 Diel. Withstand (L-L) = 1500 Vdc For 1 Min.  
 Leakage Current = 2.2 ma @ 250 V~, 60 Hz  
 Discharge Volt after 1.0 second = 24 V Max.  
 Maximum Capacitance each line to case = 0.016  $\mu$ F

Order P/N: MM-1477-60

