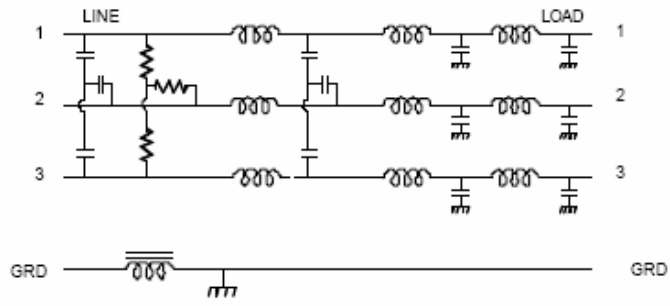




# MM-1315-125

The MM-1315-125 filter is designed for use with large computer or motor installations where heavy current is drawn continuously. This filter can handle large in-rush current typical of modern power supplies. When data lines or power is shared with other systems the ground coil helps breakup ground loops which can cause system errors and also increase conducted RF



**Operating Voltage = 250/480 V~, 50 / 60 Hz**  
**Operating Voltage = 125/208 V~, 50 – 400 Hz**  
**Operating Current = 125 A / Phase**  
**Temperature Range = -20 TO 50 Deg. C**  
**Diel. Withstand (L-CASE) =1500 V~For 1 MIN.**  
**Diel. Withstand (L-L) = 2200 Vdc For 1 Min.**  
**Leakage Current = 18 ma (max) @ 250 V~, 60 Hz**  
**Resid.Volt after 3.0 second = 20 V Max.**  
**Max. Cap. each line to case = 0.10 uF**

**Order P/N: MM-1315-125**

