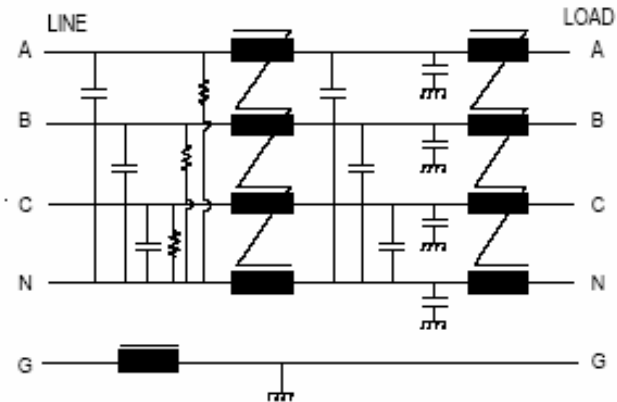


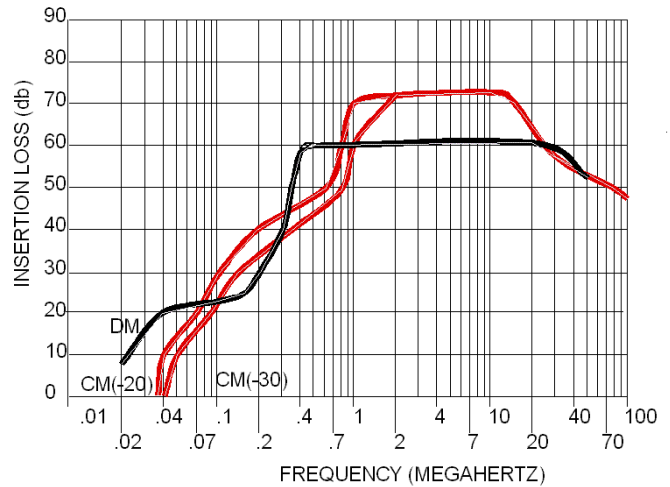
JMK, Inc

KK-902 SERIES "B" CONFIGURATION

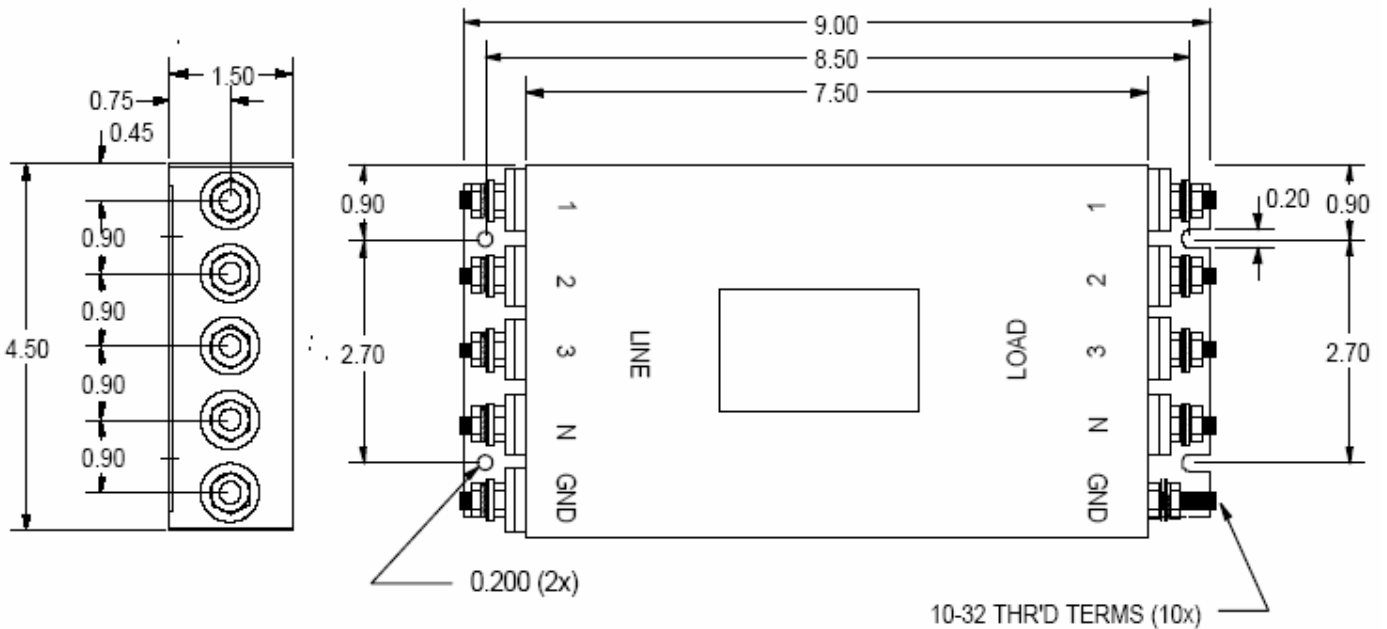
The KK-0902-xxB filter is a three phase filter designed to operate with computers, motors, power distribution systems or any system using three phase power. The key characteristic for this filter is its' small size. This filter is designed to be used on 3 phase wye power systems but can be used in a delta configuration by not connecting to the neutral (N) terminal of the filter. The ground coil is designed to eliminate ground loops caused by inter-system connections. This filter is the same as our KK-0902-xx series but the height of the "B" configuration has been reduced to 1.5 inches and a convenient bracket mounting is incorporated.



Operating Voltage = 240/480 V~
 Operating Current = 20 A, 30 A / Phase
 Operating Frequency = 50 / 60 Hz
 Temperature Range = -20 TO 50 Deg. C
 Diel. Withstand (L-CASE) = 1500 V~ FOR 1 MIN.
 Diel. Withstand (L-L) = 1500 Vdc For 1 Min.
 Leakage Current = 1.8 ma @ 240 V~, 50 Hz
 Discharge Volt after 1.0 second = 34 V Max.



Agency approvals = CSA (Canada & US)
 Order P/N: KK-0902-20B -- 20 Amp
 KK-0902-30B -- 30 Amp



USA JMK Inc 15 Caldwell Dr. Amherst, NH 03031 PH: 603 886-4100 FX: 603 886-4115
 email: info@jmkfilters.com
 EUR JMK Inc Glasgow G13 1DN Scotland UK PH: 44- 07785310729 FX: 44-(0) 141 589 1884