



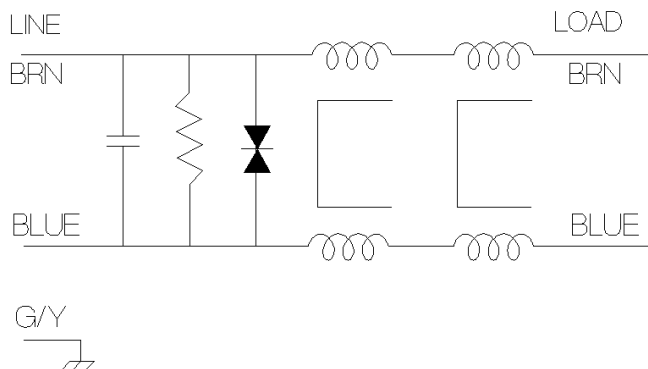
# FF-1170-20

This filter is intended to provide insertion loss and transient protection.

Mechanically the filter will operate in severe temperature and vibration environments.

This filter can be used in transportation vehicles such as buses, trucks, and trains.

Order Part Number:  
FF-1170-20



Operating Voltage = \_\_\_\_\_ 100 VDC  
 Operating Current (Max) = \_\_\_\_\_ 20 Amp @ 50 °C  
   = \_\_\_\_\_ 15 Amp @ 70 °C  
 Temperature Range = \_\_\_\_\_ -40 TO 50 °C

Diel. Withstand (Line - Case) = \_\_\_\_\_ 1500 VAC For 1 Min  
 Transient Protection = \_\_\_\_\_ 130 VDC Nominal  
 Transient Clamp = \_\_\_\_\_ 123—137 VDC  
 Leakage Current = \_\_\_\_\_ NIL  
 Discharge Volt. After 1 Sec = \_\_\_\_\_ 31 Volts Max

