



FF-1069A-3B

The FF-1069A-3B was originally developed to use with units such as the solid state florescent ballasts.

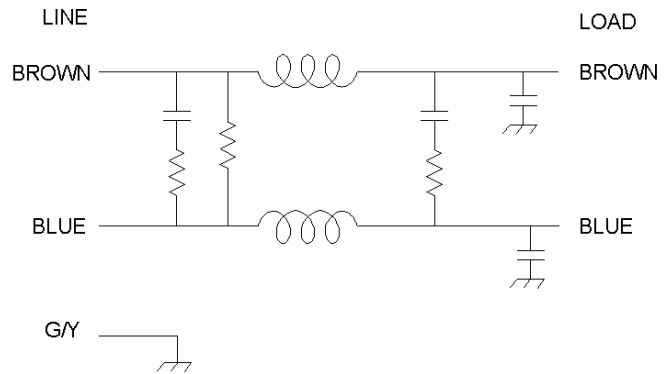
The filter will also work with other solid state controllers where compliance to FCC requirements is a requirement.

JMK also has a 6 amp and a 10 amp model available in this series.

This filter is also available with 0.25 inch tab terminals.

Agency approvals: CSA

Oder P/N: FF-1069A-3B



Operating Voltage: _____ 125 / 250 Vac
 Operating Current: _____ 3 Amps
 Operating Frequency: _____ 50/60 Hz
 Operating Temperature: _____ -20 to 50°C

Diel. Withstanding (line-case): _____ 1500 V; 1 Min
 Diel. Withstanding (line-line): _____ 1500 Vdc; 1 Min

Leakage Current: _____ 1.2 mA Max @ 250 V /50 Hz

Max Residual Voltage after 1 sec: _____ 32 V Max

Calculated MTBF: _____ 21,985,270 Hrs @ 30°C GB

