



ZM-1758-40

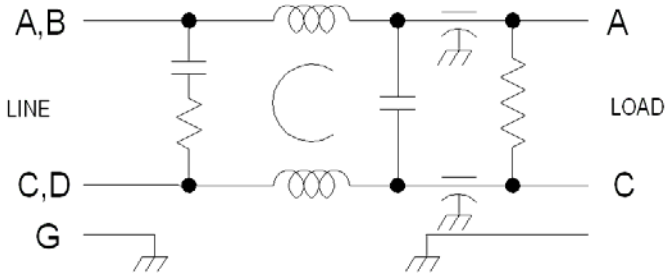
The ZM-1758-40 filter is designed to work with systems with requirements to meet Mil-Std-461D, E, or F.

The filter is designed so that there are no resonant points in the operating range.

The common mode insertion loss is also a minimum 50 dB from 100Mhz to 1.0Ghz.

This performance is needed in order to suppress high frequency signals on the power leads that can cause problems with radiated emissions.

Order P/N: ZM-1758-40



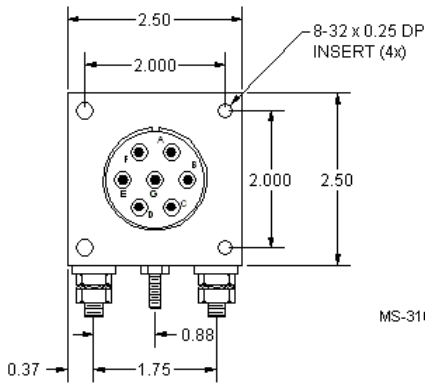
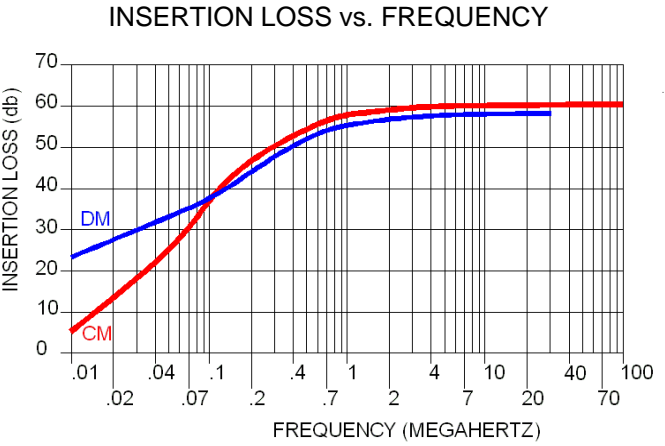
Operating Voltage = _____ 28 Vdc

Operating Current = _____ 40 Amp

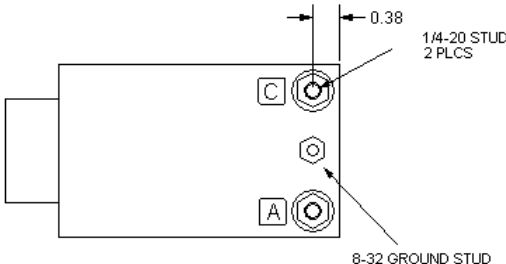
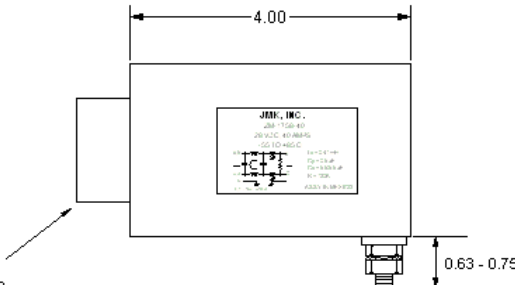
Operating Temperature = _____ -55 - 85°C

Diel. Withstanding (line - case) = _____ 800 Vdc (1.0 Min)

Calculated MTBF = _____ 2,870,437 hrs GB @ 30°C



MS-3102-R24-10P



USA JMK Inc 15 Caldwell Dr. Amherst, NH 03031 PH: 603 886-4100 FX: 603 886-4115 email: info@jmkfilters.com
 EUR JMK Inc Glasgow G13 1DN Scotland UK PH: 44-(0) 7785310729 Fax: 44-(0) 141 589 1884