



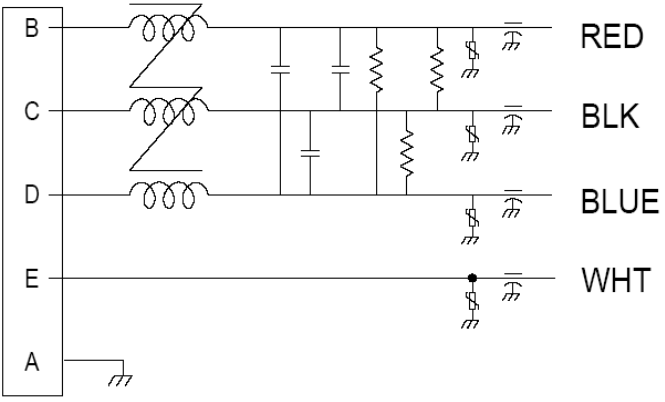
# ZF-1954-15

The ZF1954-15 is ideal for the military and TEMPEST environments.

The ZF-1954-15 filter is configured to work with systems that need to meet MIL-STD-461C. The filter has an integral MIL connector for a secure, "through chassis", installation.

This filter features a compact configuration and 60 db insertion loss to 1.0 GHz.

With a slight internal circuit change this filter can be adapted to function in the MIL-STD 461D,E and F environments.



Operating Voltage = \_\_\_\_\_ 115/220 Vac  
 Operating Current Max = \_\_\_\_\_ 15.0 Amp  
 Operating Frequency = \_\_\_\_\_ 50 - 400 Hz  
 Operating Temperature = \_\_\_\_\_ -40° - 55°C

Diel. Withstand (Line - Case) = \_\_\_\_\_ 1500V~ for 1 Min

Leakage Current = \_\_\_\_\_ 2.3 mA @ 250 VAC, 60Hz

Varistor Voltage Activation = \_\_\_\_\_ 389 - 473 Volts  
 Residual Voltage after 1.0 sec. = \_\_\_\_\_ 34 V Max.

Calculated MTBF = \_\_\_\_\_ 1,274,000 Hrs @ 30°C GB

