



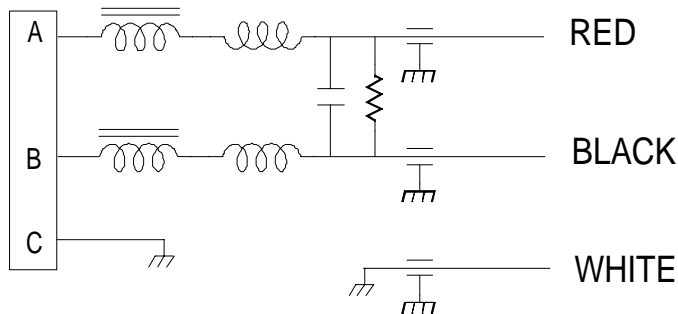
ZF-1543-3.5B

The ZF-1543-3.5B filter has been designed for systems operating under the requirements of MIL-STD-461C and/or tempest applications.

The filter's case is environmentally sealed and is designed to handle the shock and vibration of wheeled vehicle installations.

The circuit uses "Feed-Through Capacitors" with an insertion loss is 60 db to 1.0 Ghz and beyond.

Order P/N: ZF-1543-3.5B

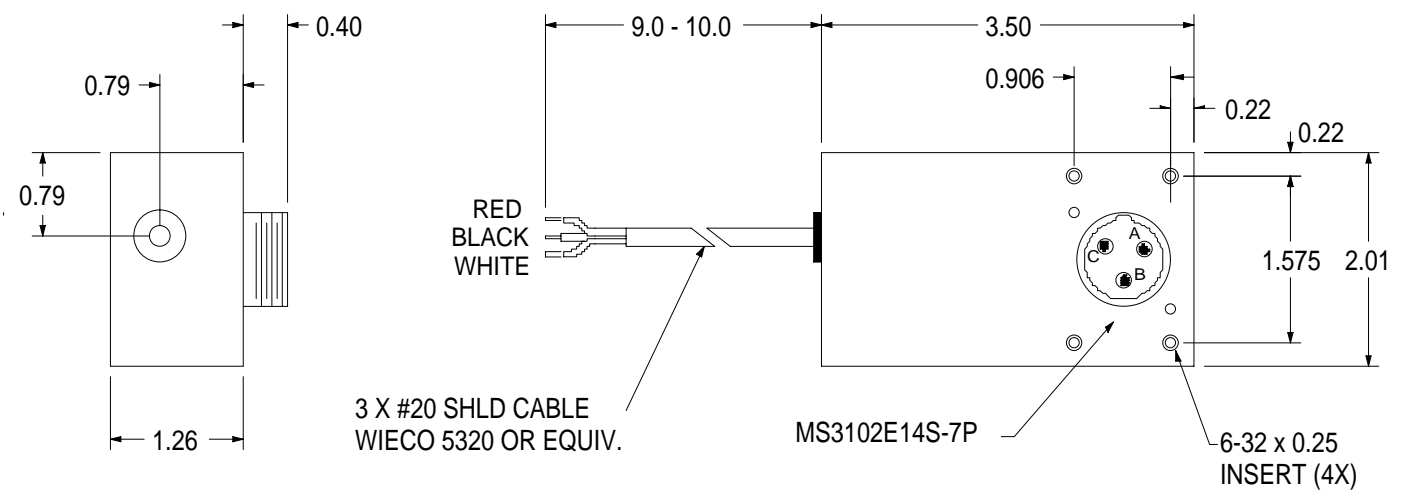
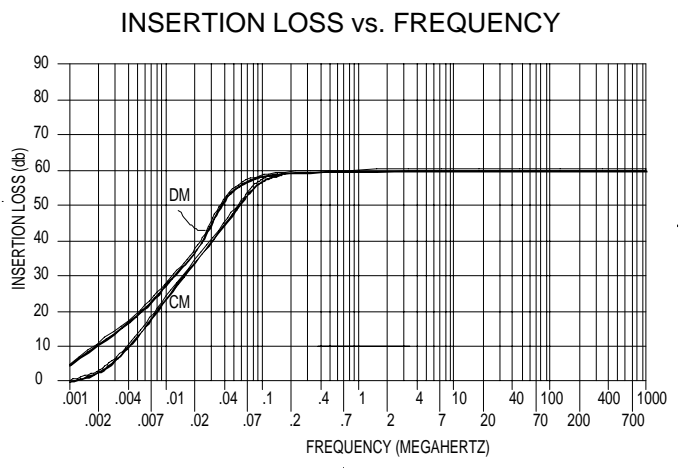


Operating Voltage = _____ 115 / 250 VAC
 Operating Current = _____ 3.5 Amps

Temperature Range (Storage) = _____ -40 to 125°C
 Temperature Range (Operating) = _____ -40 to 50°C

Diel. Withstand (L-Grd) (1 Minute) = _____ 1500 VAC
 Diel. Withstand (L-L) (1 Minute) = _____ 1500 VDC

Calculated MTBF = _____ 3,569,478 Hrs



USA JMK Inc 15 Caldwell Dr. Amherst, NH 03031 PH: 603 886-4100 FX: 603 886-4115
 email: info@jmkfilters.com
 EUR JMK Inc Glasgow G13 1DN Scotland UK PH: 44-(0) 7785310729 Fax: 44-(0) 141 589 1884