

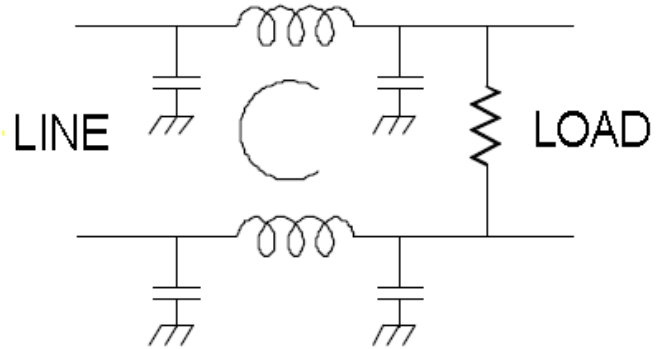


# KK-1364-50

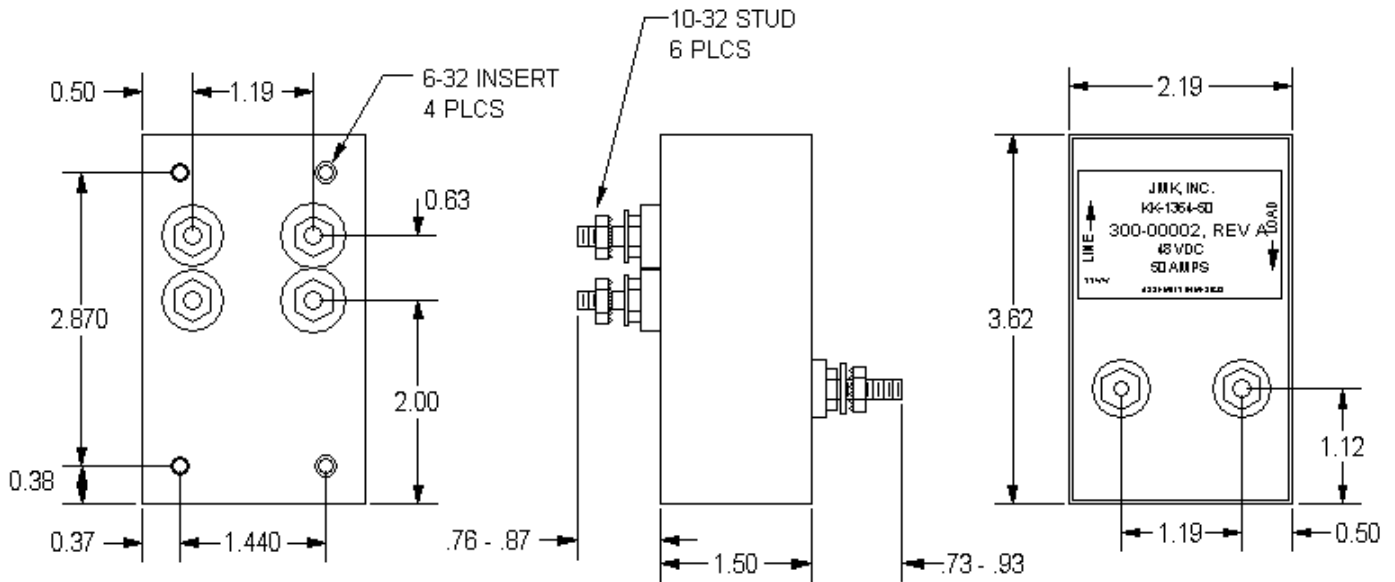
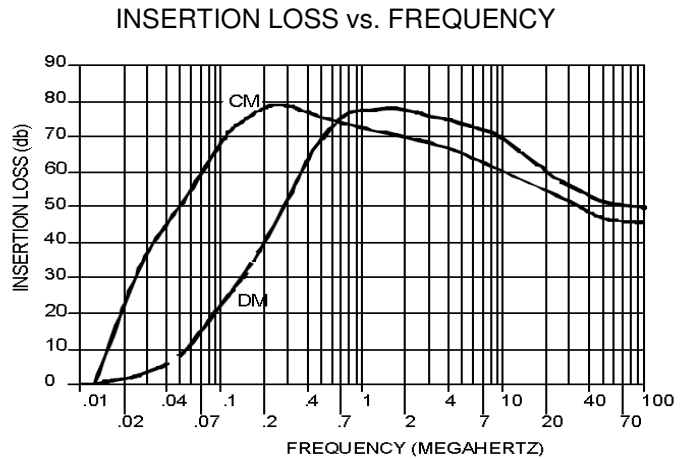
This EMI / RFI is a non-polarized filter which is intended to provide noise reduction from telecommunications DC power.

The components used in the production are capable of passing the UL 707 Volt dielectric withstanding test for telecom equipment.

The filter is non-polarized. If modifications are needed to suppress transients, or if more severe temperature operating parameters are required, call or e-mail our engineering dept.



Operating Voltage = \_\_\_\_\_ 48 Vdc  
 Operating Current = \_\_\_\_\_ 50 Amps  
 Temperature Range (operating) = \_\_\_\_\_ -40 To 55 °C  
 Temperature range (storage) = \_\_\_\_\_ -40 to 105 °C  
 Diel. Withstanding = \_\_\_\_\_ 707 VDC line-to-case  
 Maximum Sustained Input Voltage = \_\_\_\_\_ 400 Vdc



USA JMK Inc 15 Caldwell Dr. Amherst, NH 03031 PH: 603 886-4100 FX: 603 886-4115  
 email: info@jmkfilters.com  
 EUR JMK Inc Glasgow G13 1DN Scotland UK PH: 44-(0) 7785310729 Fax: 44-(0) 141 589 1884