

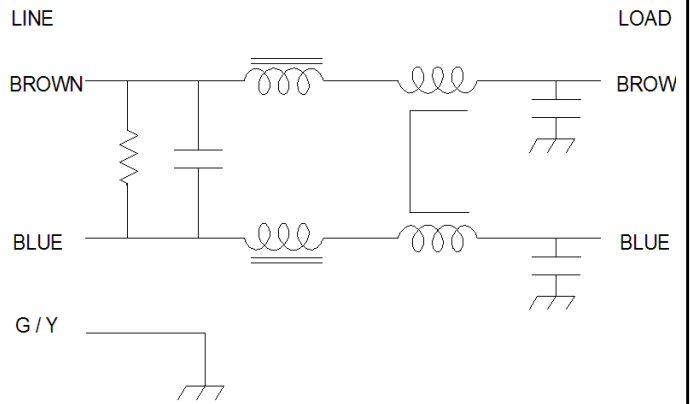
The FF-2063-7.5 filter has been designed to operate with the VICOR PFC MICRO This filter was specifically designed to allow the MIL COTS PFC Micro to meet the conducted emission requirements of Mil-Std-461D, E or F..

The standard filter has a chassis mount enclosure but the filter enclosure can be modified to add a connector input or other terminals to suit your requirements.

The leads are Teflon but can be changed if the Teflon is an issue.

The filter is lead free and RoHS.

Order P/N: FF-2063-7.5 — Standard Unit
 FF-2063-7.5HT — expanded temperature range



Operating voltage _____ 85 to 250 V~
 Operating current _____ 7.5 Amp
 Operating frequency _____ 50/400 Hz
 Operating temperature, High _____ See temp.curve
 Operating temperature, Low _____ -20° C, Std
 _____ -40° C, HT
 Storage temperature _____ -40° C—100° C
 Diel. withstanding (line - case) _____ 1500 Vac
 Diel. withstanding (line - line) _____ 1500 Vdc
 Leakage current _____ 1.2 ma @ 220V, 60Hz
 Max residual voltage after 1 sec _____ 34 Volts
 Weight _____ 0.8 lb

