



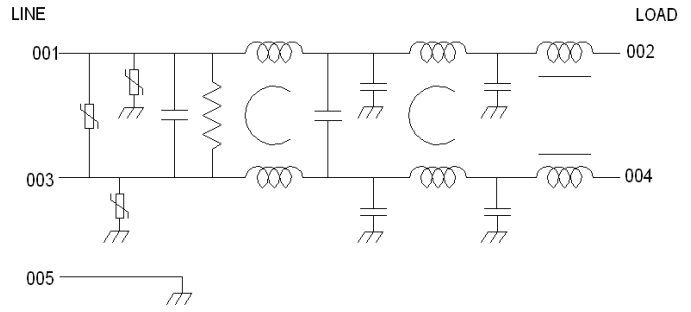
FF-1319A-13E

This filter has been designed to operate with the Vicor "VI- HAMD / BAMD Harmonic Attenuator Modules" to meet EN55022, class B.

This is a special model with a modified form factor, Raychem 44A0111 wire leads and a wide operating range from -40C to +65C.

This model also has varistors inserted in order to suppress transients between line and neutral and also between the power leads and ground.

Order P/N: FF-1319A-13E



Operating Voltage = _____ DC to 270 Vac
 Operating Current (Max) = _____ 13 Amps
 Operating Frequency = _____ 50/60 HZ
 Operating Temperature (Storage) = _____ -40 to 85 °C
 Operating Temperature @ 13.0 A = _____ -40 to 65 °C

Diel. Withstanding Voltage (Ph - Case) = _____ 1500 Vac
 Diel. Withstanding Voltage (Ph - Ph) = _____ 1500 Vdc

Leakage Current @ 270 Vac, 60 HZ = _____ 2.7 mA Max
 Discharge Voltage after 60 sec = _____ 34 V Max

Transient Suppression = _____ turn on (382—466) Vdc

Total Energy Absorption = 140 Joules / line (10x1000 us)

Calculated MTBF = _____ 2,278,890 Hrs @ 30 °C GB

