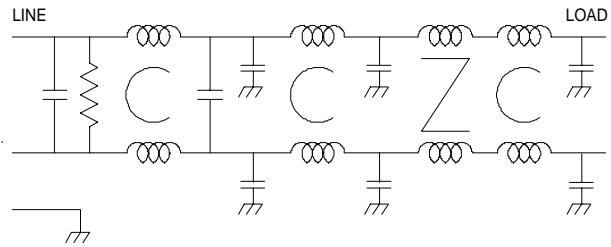


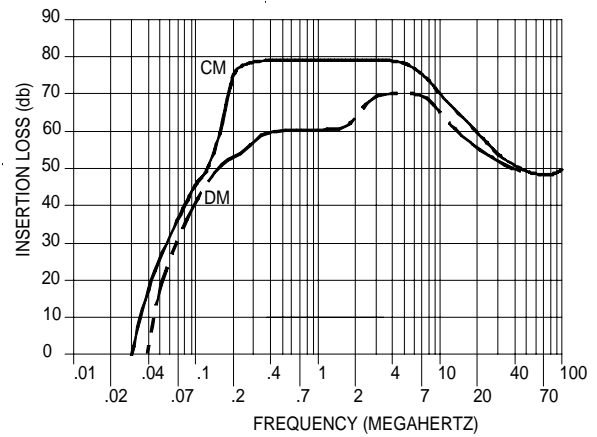
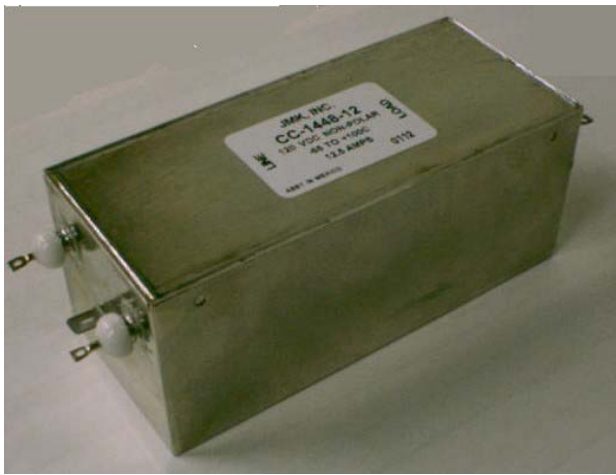


# CC-1448-12

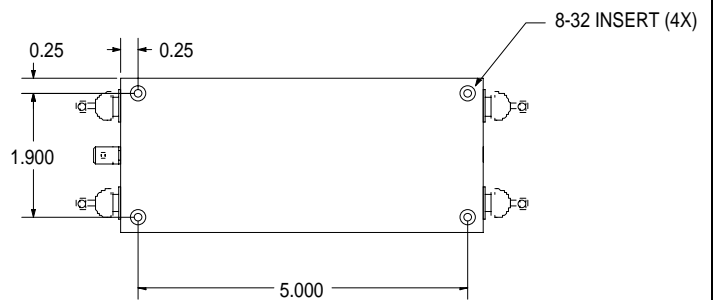
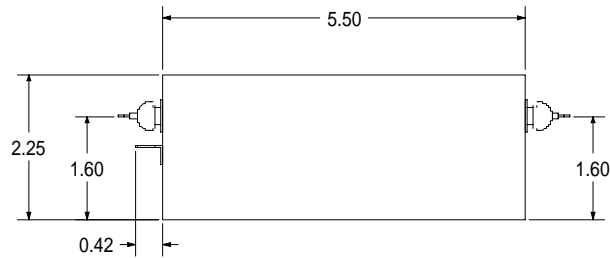
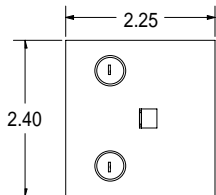
**Operating Voltage = 250 Vac or Vdc @75°C**  
**Operating Voltage = 125 Vac or Vdc @100°C**  
**Operating Current (Max) = 12 AMP A/C or D/C**  
**Frequency = DC—60 HZ**  
**Temp range (Storage) = -40 to 125°C**  
**Temp range (Operating) @ 12.0 AMP= -65—100°C**  
**Dielectric Withstand voltage (Ph—Case) = 1500 Vac**  
**Dielectric Withstand voltage (Ph—Ph) = 1500 Vdc**  
**Leakage current @ 250 V~, 60 HZ = 2.5 MA max.**  
**Discharge Voltage after 60 sec = 34 V max.**  
**Weight = 1300 gram / 2.9 lb.**  
**Hermetically sealed**



Order p/n: CC-1448-12



**The CC-1448-12 is a single phase filter designed to function in the Mil-Std-461E emissions Environment.**  
**The filter is also designed to function over a wide temperature range from -65 to +100 C.**  
**The filter is hermetically sealed to meet moisture and immersion requirements,**



USA JMK Inc 15 Caldwell Dr. Amherst, NH 03031 PH: 603 886-4100 FX: 603 886-4115  
 email: info@jmkfilters.com  
 EUR JMK Ltd Glasgow G13 1DN Scotland UK PH: 44-(0) 7785310729 FX: 44-(0) 141-589-1884