



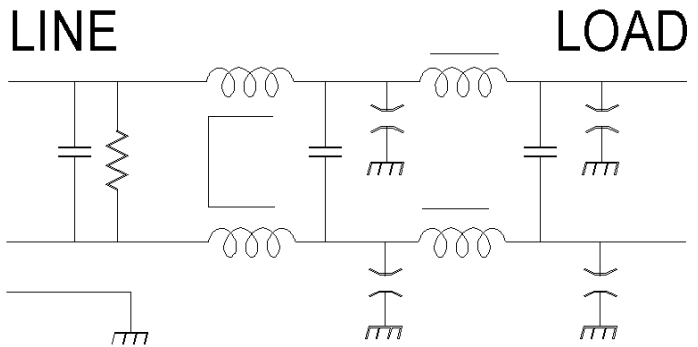
CC-0310-3

The CC-0310-3 filter has a wide operating temperature range and is designed to sustain severe shock and vibration environments.

The filter will function well with switching power supplies where a considerable amount of common mode and differential mode electrical noise is present

The configuration of this filter will perform well in Mil-Std-461 D, E, or F Test Conditions

Ordering Information
CC-0310-3



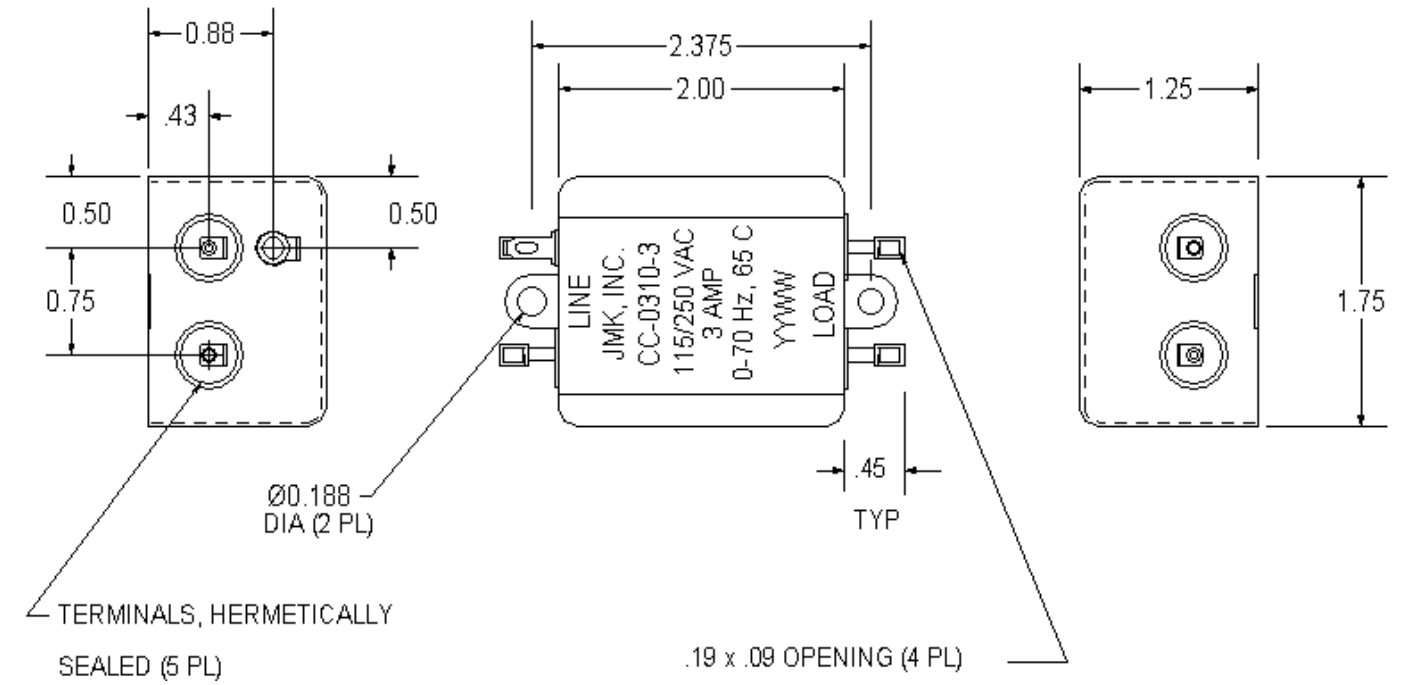
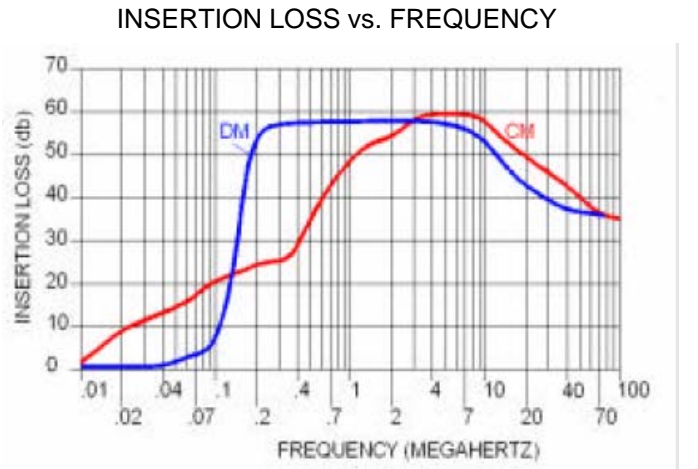
Operating Voltage = _____ 115/250 V~
 Operating Current = _____ 3 Amps
 Operating Frequency = _____ 50/60 Hz
 Operating Temperature = _____ -40° to 65°C

Diel. Withstand (L-Case) = _____ 1500V~ for 1 min
 Diel. Withstanding (L - L) = _____ 1500 Vdc for 1.0 Min.

Leakage Current = _____ 1.0mA @ 250 V~, 60 Hz

Discharge Volt. after 1.0 sec. = _____ 34 V Max

Calculated MTBF = _____ 2,466,608 hrs @ 30°C GB
 Failure Rate = _____ 0.404415



USA	JMK Inc 15 Caldwell Dr. Amherst, NH 03031	PH: 603 886-4100	FX: 603 886-4115
		email: info@jmkfilters.com	
EUR	JMK Inc Glasgow, Scotland UK	PH: 44 (0) 7785-310729	FX: 44 (0) 1415-891884